

LEGUÁN®

Market defining
all-terrain spider lifts

Reach the Next Level.

Davies
Implements Limited

For more information, please call

☎ 01267 237726 or email

✉ sales@daviesimplements.co.uk

PART OF
AVANT
GROUP

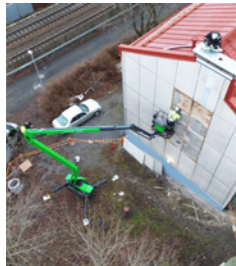
Our story

LEGUAN LIFTS specializes in designing and manufacturing reliable, technologically advanced, and off-road-capable self-propelled access platforms. With a long tradition of innovation, Leguan introduced the first self-propelled access platform with outriggers in 1994, setting a new standard in the industry. What sets Leguan apart is its unique product concept, developed in close collaboration with customers worldwide. This approach ensures that Leguan spider lifts meet the diverse needs of professionals across various industries.

As part of the fast-growing Avant Tecno Group from Finland, Leguan Lifts proudly designs and manufactures all its products in Finland. These spider lifts are renowned for their unmatched user-friendliness, exceptional durability, and ability to perform reliably even in the toughest conditions. Their high resale value reflects their quality and long-lasting performance. Built for year-round use in every climate, Leguan spider lifts are engineered to withstand the elements. Vital components are protected from external damage, sawdust, ice, and water, ensuring consistent operation no matter the environment.



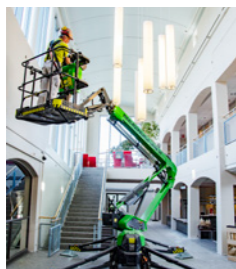
CONSTRUCTION



TREE CARE



RENTAL



PROPERTY MAINTENANCE



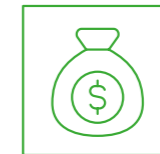
Used across all industries

Highly versatile and dependable, Leguan spider lifts are trusted by professionals worldwide across a wide range of industries. Common applications include arboriculture, painting, plastering, construction, property maintenance, installation work, and equipment rental. Whatever the trade, Leguan spider lifts deliver performance and reliability that professionals can count on.



Easy-to-master uniform fleet

Developed in collaboration with international operators and distributors, Leguan spider lifts are designed with simplicity and usability in mind. With precise joysticks and intuitive control panels, operating a Leguan is straightforward — learn one, and you'll know them all. This uniformity makes our fleet ideal for rental companies and operators managing multiple lift sizes.



Finish more projects with Leguan

With unrivalled off-road capabilities, exceptional gradeability, and year-round usability, Leguan spider lifts go where others can't — anytime, anywhere. Broaden your customer base with the unmatched versatility of Leguan and finish more projects in less time with superior speed and usability.



Professional after-sales support, always close by

At Leguan, we're committed to more than just selling lifts; we take care of our customers and their equipment throughout its lifecycle. That's why we heavily invest in training our professional dealer network, ensuring quick access to after-sales and service support worldwide. Our mission: minimise downtime and maximise your efficiency.

DISCOVER THE MANY WAYS LEGUAN CAN ELEVATE YOUR WORK



EDX

EFFICIENCY DRIVEN EXPERIENCE



Advanced & self-learning operating system

The Leguan EDX sets a new standard with its intelligent, self-learning operating system, equipped with cutting-edge electronic valve control for precise and safe boom operation. Integrated service display provides automated solutions for possible error codes, while automated self-diagnostics features proactively detect and isolate potential issues. This reduces downtime and minimises the need for on-site visits, keeping your lift operational and your projects on track.

User interface

Designed for simplicity and efficiency, the Leguan EDX features easy-to-master joystick controls and a user-friendly control panel with single-button automatic functions like "home" and "back to work." Operators can learn to operate the spider lift with minimal training, and familiarity with one Leguan ensures seamless operation across the entire fleet. All actions, including driving and boom operation, can be managed safely from the platform.

Uncompromised safety & efficiency

Safety meets innovation in the EDX. Proportional outreach monitoring maximises reach without compromising stability, while automatic functions prevent user errors during operation. The intelligent emergency lowering system combines gravity lowering valves with a battery-controlled back up pump, ensuring reliable performance in emergency situations. Additionally, easy-to-use emergency bypass functions simplify service and rescue, reinforcing Leguan's commitment to safety and efficiency.



Shielded booms, chassis & sensors

Built for year-round use and to withstand the toughest environments, Leguans are equipped with shielded booms that protect vital components from impacts, sawdust, ice, and water. A reinforced underbody safeguards the chassis, ensuring safe access in rough terrain. With exceptional paint quality, including a zinc-based undercoat, Leguan offers unmatched resistance to wear and corrosion, maintaining high resale value for years to come.

Markets fastest setup & boom efficiency

Leguan spider lifts are engineered for speed and efficiency. EDX-boosted intelligent auto-levelling allows for rapid setup on any terrain, while industry-leading boom and travel speeds minimise transition times between worksites. With elevated driving position (EDP) activated directly from the platform, operators can easily clear obstacles and climb trailer ramps without stepping off the platform.

Unrivalled performance in rough terrain

From challenging worksites to steep slopes, the Leguan excels in rough terrain. Its low centre of gravity ensures stability, while high-profile tracks and a powerful combustion engine provide unmatched accessibility where other lifts cannot venture. With exceptional ground clearance and superior gradeability, Leguan spider lifts redefine rough-terrain performance, allowing operators to tackle the most demanding environments with confidence.

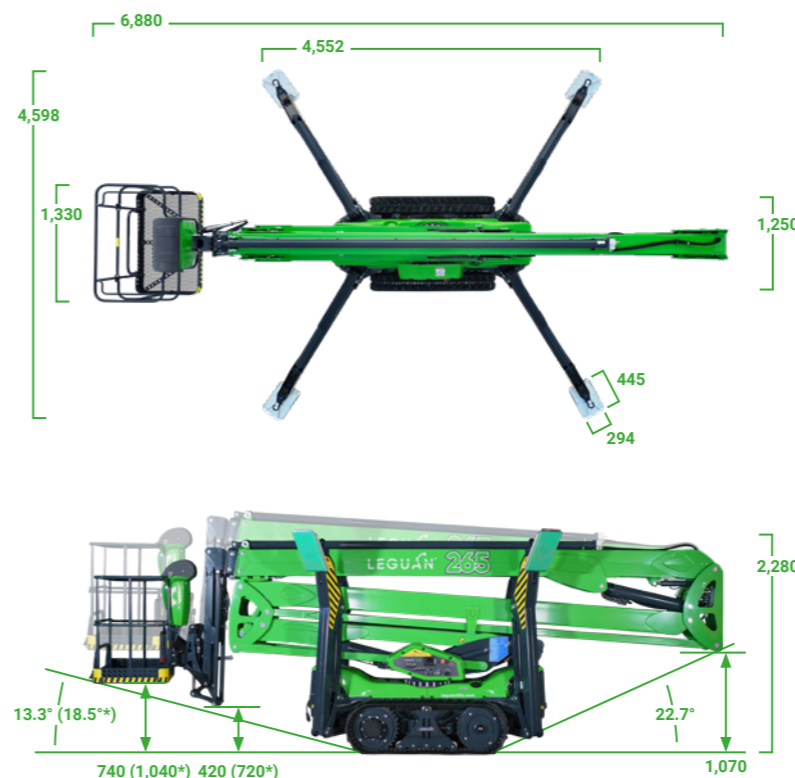
DON'T JUST BELIEVE US,
LISTEN TO WHAT OUR CUSTOMERS
SAY ABOUT US.



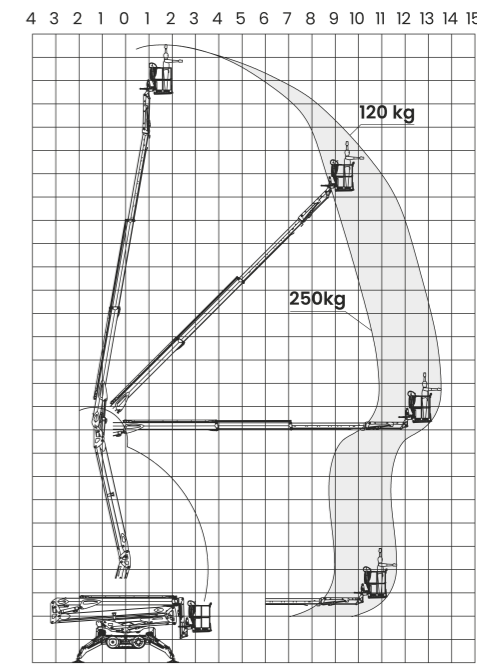
Leguan 265.



265



265



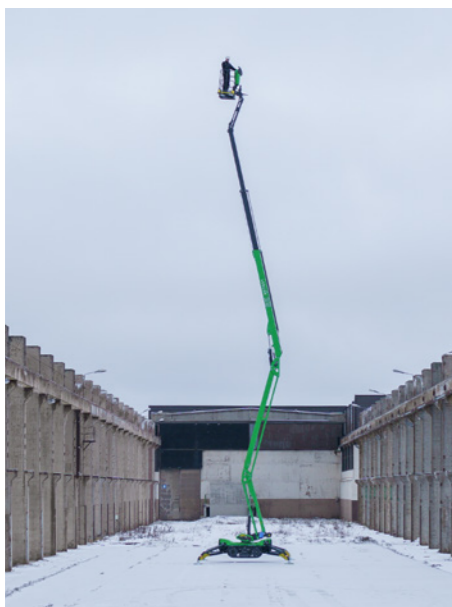
Measurements in millimetres.
*Elevated Driving Position (EDP) maximum values.

Redefining all-terrain performance and efficiency.

THE LEGUAN 265 sets a new benchmark for efficiency and performance in its class. With a working height of 26.5 m, a maximum outreach of 13.6 m, and an up-and-over reach of over 10 m, it provides exceptional access for professionals across industries.

Engineered for versatility, the Leguan 265 features a lightweight design and a compact length, ensuring effortless manoeuvrability in confined spaces. Its rugged track system, unrivalled ground clearance, and the market's lowest centre of gravity provide exceptional stability and mobility, even in the most demanding environments, such as tree care and construction.

Speed and efficiency are at the heart of the Leguan 265. As the fastest 27-meter spider lift in the world, it takes just 1 minute and 35 seconds to fully extend the booms to maximum working height. This unparalleled speed allows operators to complete more projects in less time, driving greater productivity and profitability.



26.5 m
max. working height

13.6 m
max. side reach

250 kg
max. lift capacity

Standard features.

- Leguan EDX
- 21 hp Kubota diesel engine + 230 V electric motor
- 230 V and USB power outlets on platform
- Automatic engine RPM control
- Automatic start-stop function for electric motor
- Automatic levelling of the outriggers
- Proportional outreach monitoring system
- Electric rotation of the platform
- Home / back to work function
- JIB-boom with 120-degree operating range
- Battery powered emergency lowering system
- Lower controls with integrated service display
- Intuitive joystick control
- Elevated Driving Position (EDP)

Optional features.

- Remote control for driving and outriggers
- LED spotlights for platform
- Tool trays on platform
- Outrigger beacons
- Hose to platform (air/water)
- Engine heater
- Non-marking tracks
- Narrow single person platform
- Custom colour

Technical features.

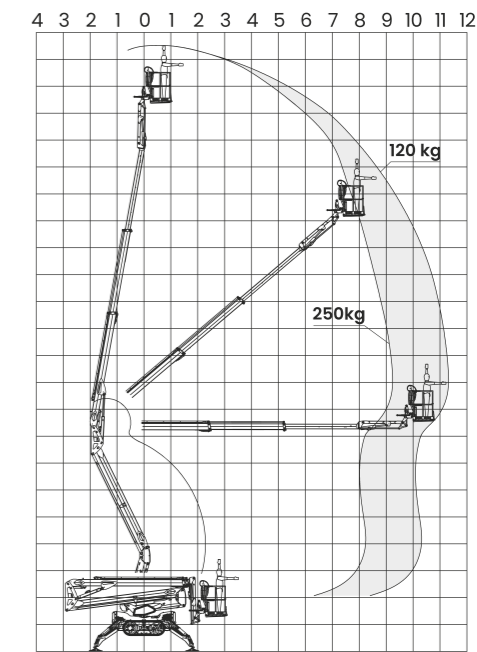
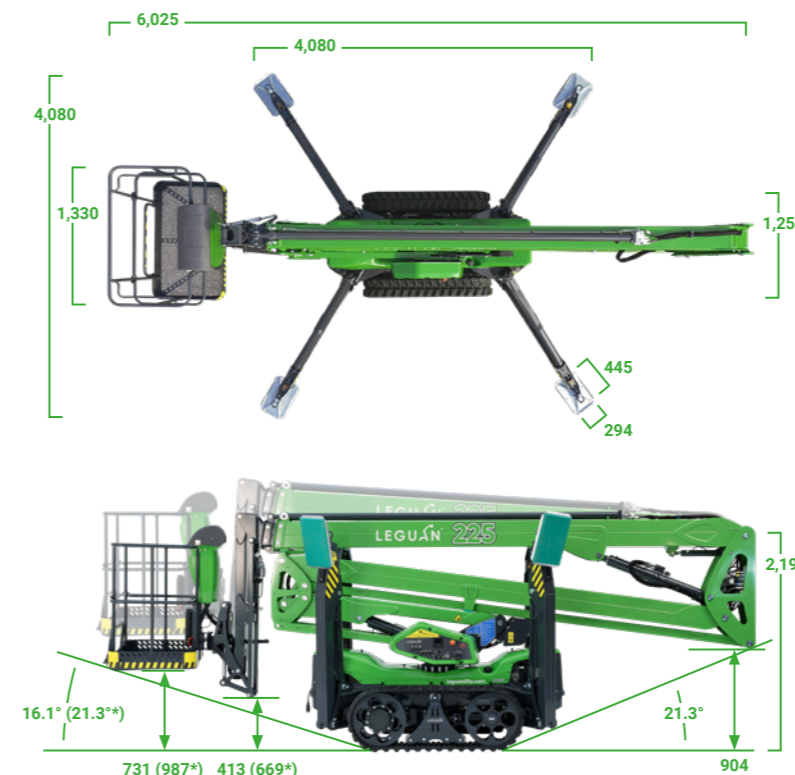
Max. lift capacity	250 kg (2 persons)
Max. working height	26.5 m
Max. platform height	24.5 m
Max. side reach	10.9 m (250 kg) – 13.6 m (120 kg)
Transport dimensions, L x W x H	6.88 x 1.33 x 2.28 m
Platform dimensions	1.33 x 0.75 m
Rotation of the platform	110° (±55°)
Slewing	440°
Gradeability	45 % (25°)
Dimensions w/o platform, L x W	6.24 x 1.25 m
Minimum outrigger support dimensions	4.60 x 4.55 m
Required space for outrigger operation	4.86 x 4.71 m
Max. slope for outriggers	23 % (13°)
Weight	3,920 kg
Engine	Kubota 21 hp diesel or 230 V / 2.2 kW electric
Drive system: hydraulic	tracks
Max. drive speed	3.1 km/h

Leguan 225.



225

225



Measurements in millimetres.
*Elevated Driving Position (EDP) maximum values.

All-terrain spider lift with unrivalled performance.

INDUSTRY-LEADING all-terrain capabilities, a high-profile track platform and fast driving speeds make the next-generation Leguan 225 a perfect choice for even the most demanding environments. The spider lift's boom is designed to maximize side reach even at high working heights, while intuitive user interface guarantees quick and smooth movements.

Thanks to user-friendly joystick controls, boom operation remains steady, and simultaneous movements become second nature. The Leguan 225's intelligent features minimise malfunctions and boost efficiency, allowing you to focus on the task at hand. Additionally, the boom is protected from external impacts, falling branches, and sawdust, making the 225 an excellent choice for arborists, construction workers, and other professionals.



22.5 m
max. working height

11.2 m
max. side reach

250 kg
max. lift capacity

Standard features.

- Leguan EDX
- 21 hp Kubota diesel engine + 230 V electric motor
- 230 V and USB power outlets on platform
- Automatic engine RPM control
- Automatic start-stop function for electric motor
- Automatic levelling of the outriggers
- Proportional outreach monitoring system
- Electric rotation of the platform
- Home / back to work function
- JIB-boom with 120-degree operating range
- Battery powered emergency lowering system
- Lower controls with integrated service display
- Intuitive joystick control
- Elevated driving position (EDP)

Optional features.

- Remote control for driving and outriggers
- LED spotlights for platform
- Tool trays on platform
- Outrigger beacons
- Hose to platform (air/water)
- Engine heater
- Non-marking tracks
- Narrow single person platform
- Custom colour

Technical features.

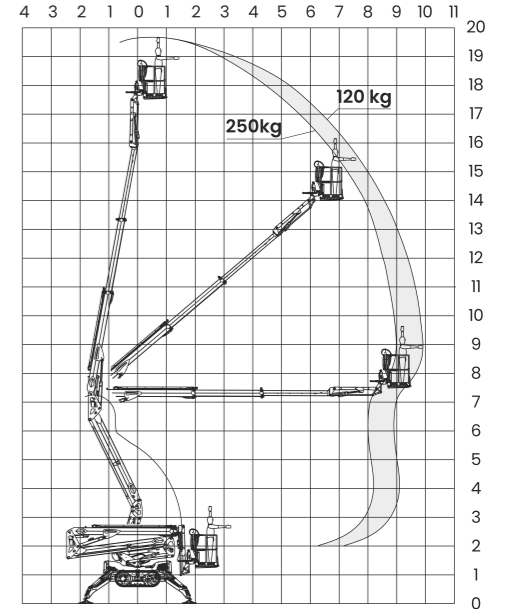
Max. lift capacity	250 kg (2 persons)
Max. working height	22.5 m
Max. platform height	20.5 m
Max. side reach	9.1 m (250 kg) – 11.2 m (120 kg)
Transport dimensions, L x W x H	6.03 x 1.33 x 2.2 m
Platform dimensions	1.33 x 0.75 m
Rotation of the platform	110° (±55°)
Slewing	440°
Gradeability	45 % (25°)
Dimensions w/o platform, L x W	5.35 x 1.25 m
Minimum outrigger support dimensions	4.08 x 4.08 m
Required space for outrigger operation	4.38 x 4.27 m
Max. slope for outriggers	25 % (14°)
Weight	2,920 kg
Engine	Kubota 21 hp diesel or 230 V / 2.2 kW electric
Drive system: hydraulic	tracks
Max. drive speed	3.1 km/h

Leguan 195.



195

195



Measurements in millimetres.
*Elevated Driving Position (EDP) maximum values.



Engineered for speed, built for safety and efficiency.

INTRODUCING the new standard in the world of spider lifts, combining unparalleled speed, precision, and safety. This all-terrain spider lift excels in even the toughest environments, thanks to its robust track platform and exceptional driving capabilities.

The Leguan 195 is the fastest lift to set up on the market, with unrivalled boom speeds that take the operator to maximum working height in just 55 seconds. Its advanced boom design ensures impressive side reach, even at greater heights, while the intuitive joystick control offers seamless, precise movements, allowing for easy operation in any situation.

A shielded boom structure protects the spider lift's key components from external damage, making it the perfect choice for demanding jobs such as arboriculture and construction work. Whether navigating tight spaces or tackling complex tasks at height, the Leguan 195 offers performance, reliability, and safety every time.

19.7 m
max. working height

9.9 m
max. side reach

250 kg
max. lift capacity

Standard features.

- Leguan EDX
- 21 hp Kubota diesel engine + 230 V electric motor
- 230 V and USB power outlets on platform
- Automatic engine RPM control
- Automatic start-stop function for electric motor
- Automatic levelling of the outriggers
- Proportional outreach monitoring system
- Electric rotation of the platform
- Home / back to work function
- JIB-boom with 120-degree operating range
- Battery powered emergency lowering system
- Lower controls with integrated service display
- Intuitive joystick control
- Elevated driving position (EDP)

Optional features.

- Remote control for driving and outriggers
- LED spotlights for platform
- Tool trays on platform
- Outrigger beacons
- Hose to platform (air/water)
- Engine heater
- Non-marking tracks
- Narrow single person platform
- Custom colour

Technical features.

Max. lift capacity	250 kg (2 persons)
Max. working height	19.7 m
Max. platform height	17.7 m
Max. side reach	9.0 m (250 kg) – 9.9 m (120 kg)
Transport dimensions, L x W x H	5.29 x 1.33 x 2.16 m
Platform dimensions	1.33 x 0.75 m
Rotation of the platform	110° (±55°)
Slewing	440°
Gradeability	45 % (25°)
Dimensions w/o platform, L x W	4.62 x 1.25 m
Minimum outrigger support dimensions	4.08 x 4.08 m
Required space for outrigger operation	4.38 x 4.27 m
Max. slope for outriggers	25 % (14°)
Weight	2,700 kg
Engine	Kubota 21 hp diesel or 230 V / 2.2 kW electric
Drive system: hydraulic	tracks
Max. drive speed	3.1 km/h

Leguan 135 Neo.



135 NEO

User-friendly and versatile joystick-controlled spider lift.

135 NEO represents new generation of spider lifts combining easy-to-use interface, heavy lifting capacity, and efficiency-enhancing technology. The state-of-the-art joystick control allows simultaneous use of multiple boom movements with just one hand. Setting up or finishing the operation is efficient with the help of the smart automatic levelling function and the home function that brings booms automatically back to transport position.

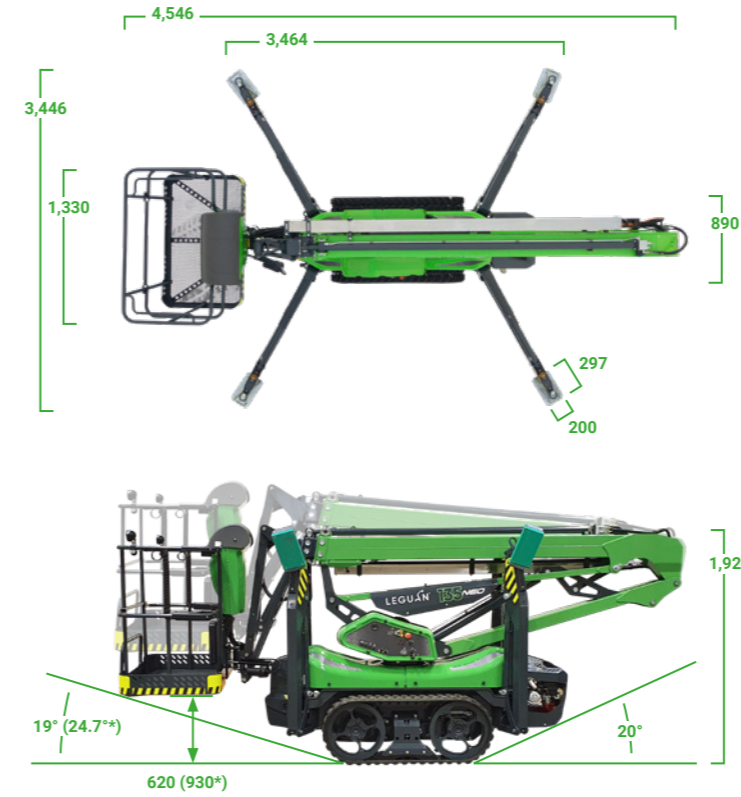
Transitioning the Leguan 135 NEO through tight entrances is easy due to smooth drive control and small width of the spider lift. The new innovative boom structure helps the operator to maintain distance to the walls and the unparalleled user interface makes controlling the spider lift easier than ever before. The Leguan 135 NEO is a great fit for rental use and all kinds of facility maintenance and installation work both indoors and outdoors.



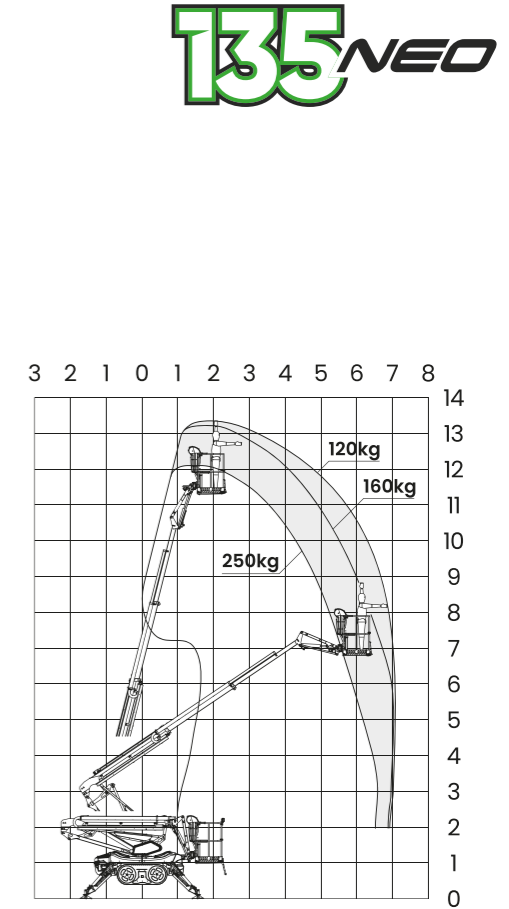
13.4 m
max. working height

7.1 m
max. side reach

250 kg
lift capacity



Measurements in millimetres.
*Elevated Driving Position (EDP) maximum values.



Standard features.

- Leguan EDX
- 13 hp Honda petrol engine + 230 V electric motor
- 230 V and USB power outlets on platform
- Automatic engine RPM control
- Automatic start-stop function for electric motor
- Automatic levelling of the outriggers
- Proportional outreach monitoring system
- Electric rotation of the platform
- Home / back to work function
- Electric and hand pump powered emergency lowering
- Lower controls with integrated service display
- Intuitive joystick control
- Elevated driving position (EDP)

Optional features.

- Remote control for driving and outriggers
- LED spotlights for platform
- Tool trays on platform
- Outrigger beacons
- Hose to platform (air/water)
- Larger plates for outriggers
- Non-marking tracks / tyres
- Narrow single person platform
- Custom colour

Technical features.

Max. lift capacity	250 kg (2 persons)
Max. working height	13.40 m
Max. platform height	11.40 m
Max. side reach	7.1 m (120 kg) – 6.6 m (250 kg)
Transport dimensions, L x W x H	4.55 x 1.33 x 1.93 m
Platform dimensions	1.33 x 0.75 m
Rotation of the platform	80° (±40°)
Slewing	360°
Gradeability	40% (22°)
Dimensions w/o platform, L x W	3.91 x 0.89 m
Minimum outrigger support dimensions	3.45 x 3.46 m
Required space for outrigger operation	3.69 x 3.60 m
Max. slope for outriggers	21% (12°)
Weight	1,650 kg
Engine	Honda 13 hp petrol or 230 V / 2.2 kW electric
Drive system: hydraulic	4WD / tracks
Max. drive speed	2.5 km/h

Optional features.

LEGUAN spider lifts are always well-equipped and come with many advanced features as standard to ensure the highest efficiency. However, you can equip your own Leguan with many additional features to match the requirements of your line of work or job sites.

Some of the most popular optional features are the outrigger beacons that improve work safety. For the colder climates we recommend engine heater for the diesel engine. Inquire more about the standard and optional features from your local Leguan dealer.

FIND YOUR NEAREST LEGUAN DISTRIBUTOR.

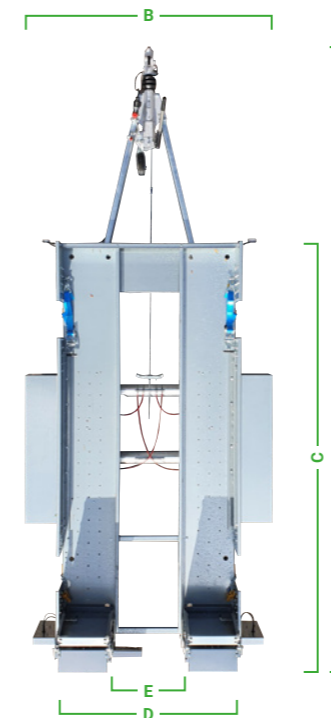


1. Hose to platform (air/water)
2. LED spotlights
3. Narrow single person platform
4. Tool trays on platform
5. Remote control
6. Engine heater
7. Non-marking tracks
8. Custom colour
9. Outrigger beacons



Leguan special trailers.

LEGUAN special trailer is a lightweight trailer for transporting Leguans without the need for heavy-duty hauling equipment. Fastening is quick with chains and straps included and driving off the trailer is easy with the tailor-made ramps. Some of the spider lifts can be used also directly from the trailer without unloading. The Leguan special trailers are CE certified.



Trailer model.	2021	3024
Leguan model.	135 Neo	195 & 225*
A. length	4,520 mm	5,330 mm
B. width	1,590 mm	2,030 mm
C. loading length	2,680 mm	3,200 mm
D. loading width	920 mm	1,390 mm
E. gap between ramps	380 mm	760 mm
Own weight	495 kg	635 kg
Min. towing capacity	2100 kg	3500 kg

*Leguan 225 models manufactured before 2025 (0080100-0080499) are compatible with the Teho 3023 trailer.

Davies

Implements Limited

For more information, please call

☎ 01267 237726 or email

@ sales@daviesimplements.co.uk



LEGUAN®

PART OF
AVANT
GROUP

Due to continuous improvement, we retain the right to change specifications without notice.
© 2025 Leguan Lifts Oy. All rights reserved.

Leguan Lifts Oy.

Ylötie 10,
33470 Ylöjärvi
FINLAND

www.leguanlifts.com