

**HAKKIPIILKE®**

# Hakki Pilke Raven spare parts manual



## **MAASELÄN KONE OY**

Valimotie 1, FI-85800 Haapajärvi, FINLAND  
Tel. +358 8 772 7300, Fax +358 8 772 732  
info@maaselankone.fi, [www.maaselankone.fi](http://www.maaselankone.fi)

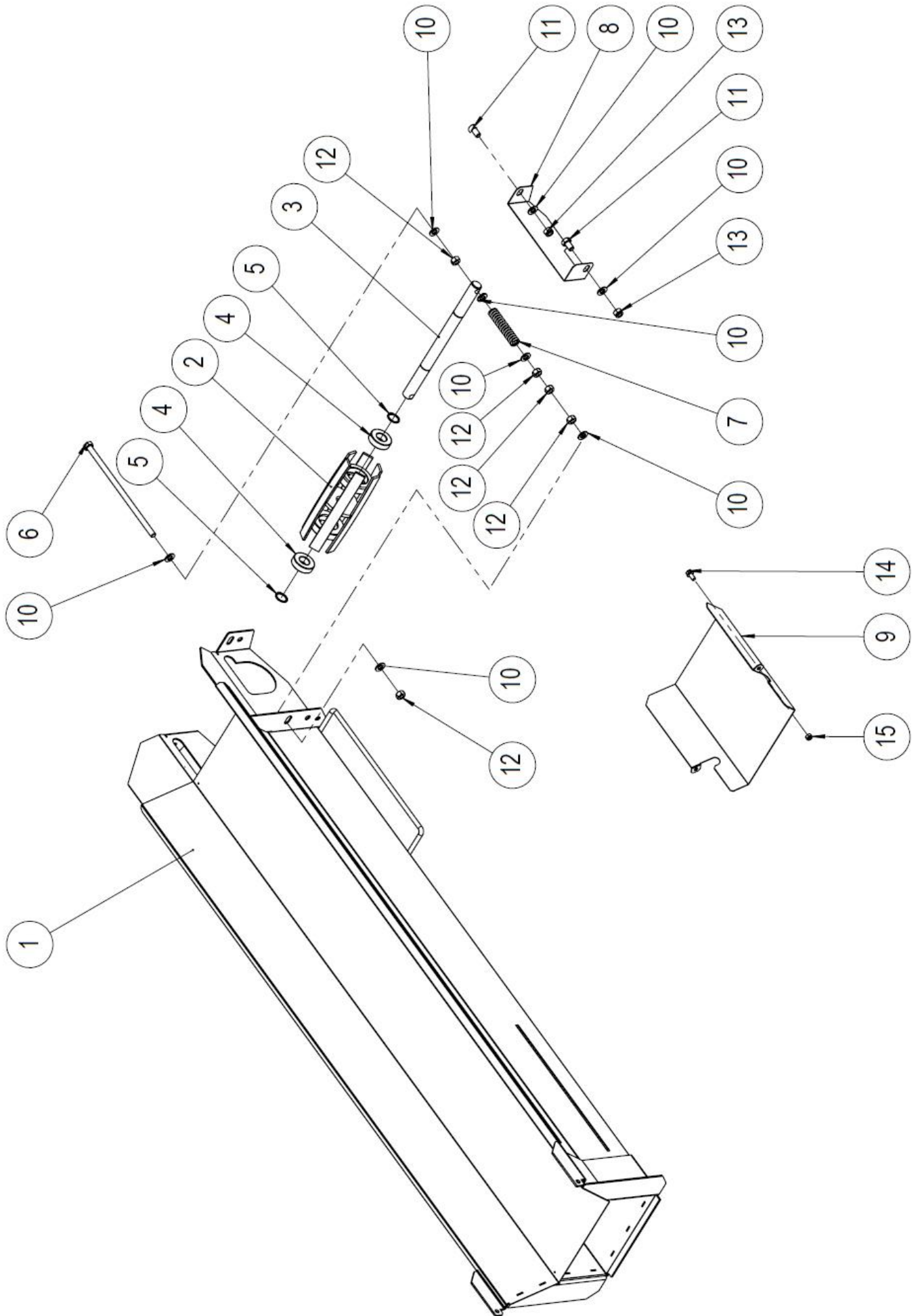
## Table of contents

1	Upper section of the output conveyor.....	4
2	Upper section of the output conveyor, parts list.....	5
3	Output conveyor belt (10317) .....	6
4	Output conveyor belt (10317), parts list.....	7
5	Lower section of the output conveyor (pivoting) .....	8
6	Lower section of the output conveyor (pivoting), parts list .....	9
7	Lower section of the output conveyor (not pivoting).....	10
8	Lower section of the output conveyor (not pivoting), parts list.....	11
9	Splitting knife adjustment lever + splitting knives .....	12
10	Log measuring device.....	13
11	Splitting cylinder check valve .....	14
12	Stroke limiter valve .....	15
13	Input conveyor valve.....	16
14	Load control valve .....	17
15	Splitting guard .....	18
16	Relief valve .....	19
17	Cutting and splitting valve.....	20
18	Saw assembly .....	21
19	Saw parts list .....	22
20	Oil tank assembly .....	23
21	Input conveyor assembly .....	24
22	Input conveyor parts list .....	25
23	Frame assembly .....	26
24	Frame parts list .....	27
25	Guard assembly.....	28
26	Guard parts list.....	29
27	Frame 2 assembly .....	30
28	Frame 2 parts list.....	31
29	Power transmission assembly (tractor-powered).....	32
30	Power transmission parts list.....	33
31	Valve press assembly .....	34
32	Power transmission assembly (electrical).....	35
33	Power transmission parts list (electrical).....	36
34	Control lever assembly.....	37
35	Control lever parts list.....	38
36	Saw chain lubrication assembly .....	39
37	Input table extension assembly .....	40
38	Input table extension parts list .....	41

39 Input conveyor valve assembly..... 42

40 Input table rollers + arm ..... 43

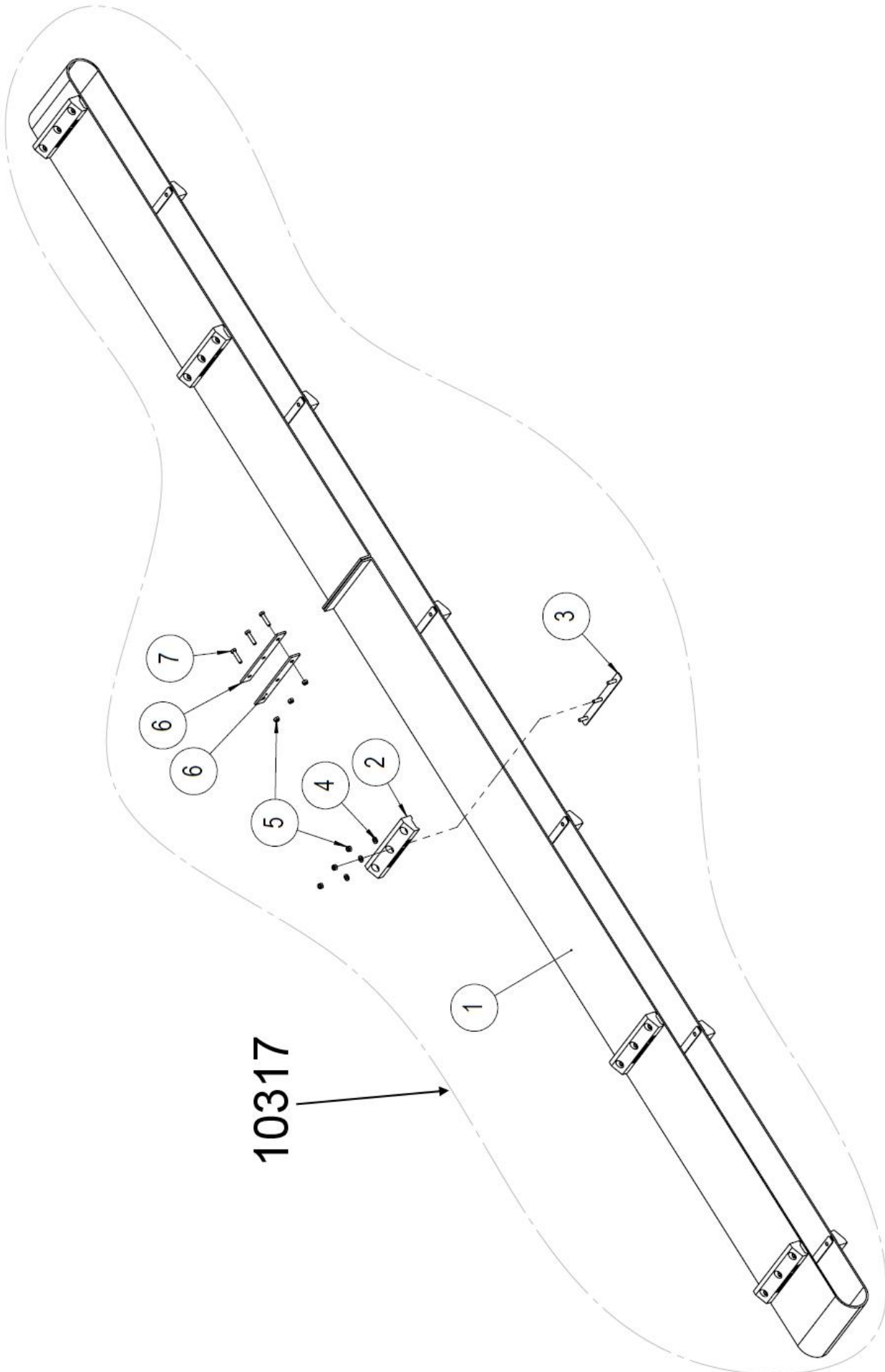
# 1 Upper section of the output conveyor



## 2 Upper section of the output conveyor, parts list

<b>No.</b>	<b>Part number</b>	<b>Name</b>	<b>Dimensions</b>	<b>Pcs</b>
1	10126	Upper frame of the conveyor		1
2	50000211	Upper roller		1
3	10132b	Upper roller shaft		1
4	95050	Bearing	6205 2 RS	2
5	96042	Retaining ring	25	2
6	96355	Hex screw	933 M12x280	2
7	95543	Pressure spring	d4 D22 L100	2
8	10858	Protective plate for the roller		1
9	10868	Upper roller guard		1
10	96058	Washer	A12	14
11	96144	Hex screw	M12x20	2
12	96200	Hex nut	M12	10
13	96218	Locking nut	M12	2
14	96172	Flange bolt	M8x16	2
15	96222	Locking nut	M8	2

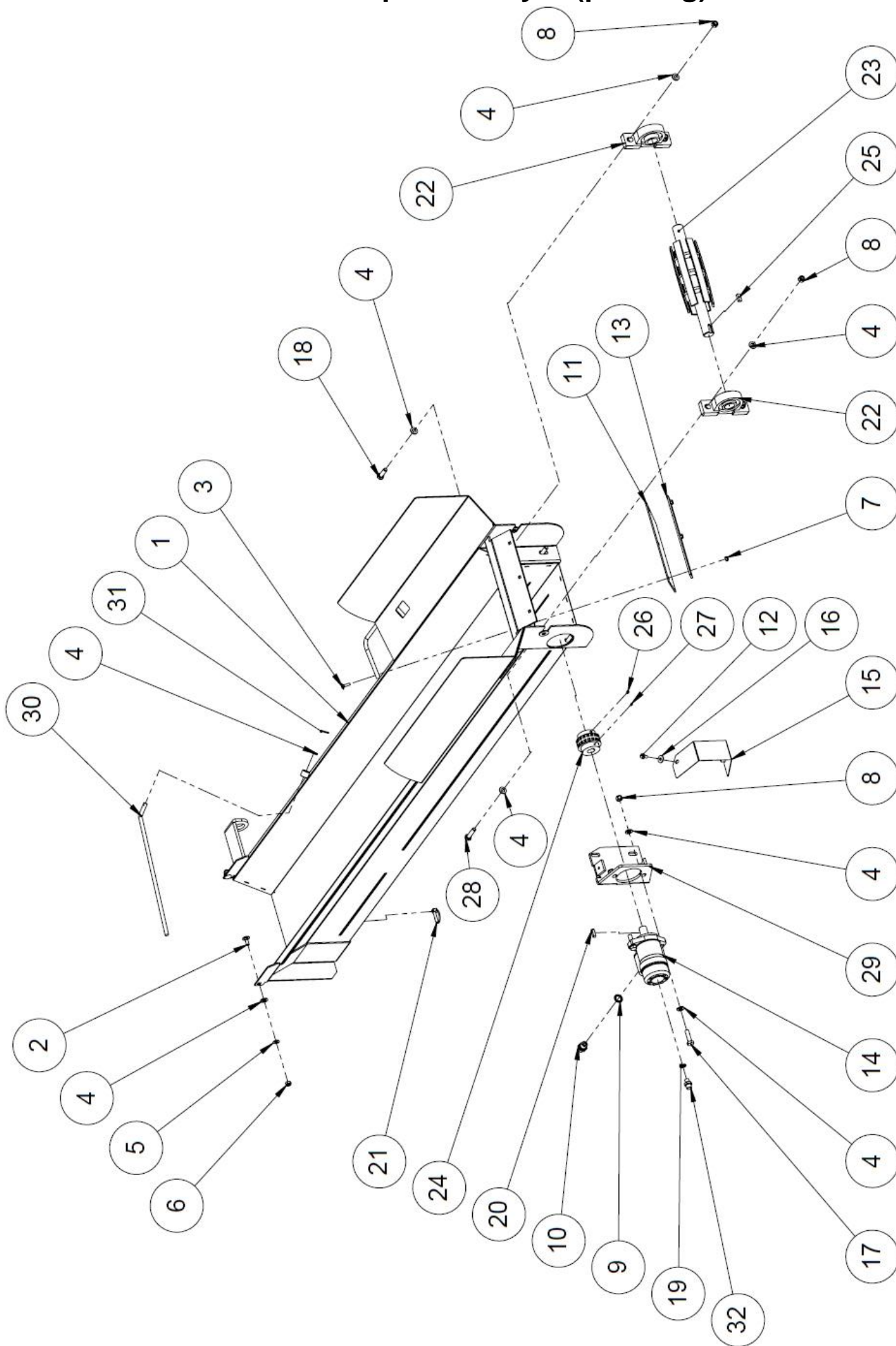
### 3 Output conveyor belt (10317)



#### 4 Output conveyor belt (10317), parts list

No.	Part number	Name	Dimensions	Pcs
1	95126	Conveyor belt		1
2	95548	Plastic plate		11
3	10863	Plate fastening		11
4	96061	Washer	A8	33
5	96222	Locking nut	M8	36
6	10136	Connection rod for the belt		2
7	96166	Hex screw	M8x35	3

### 5 Lower section of the output conveyor (pivoting)

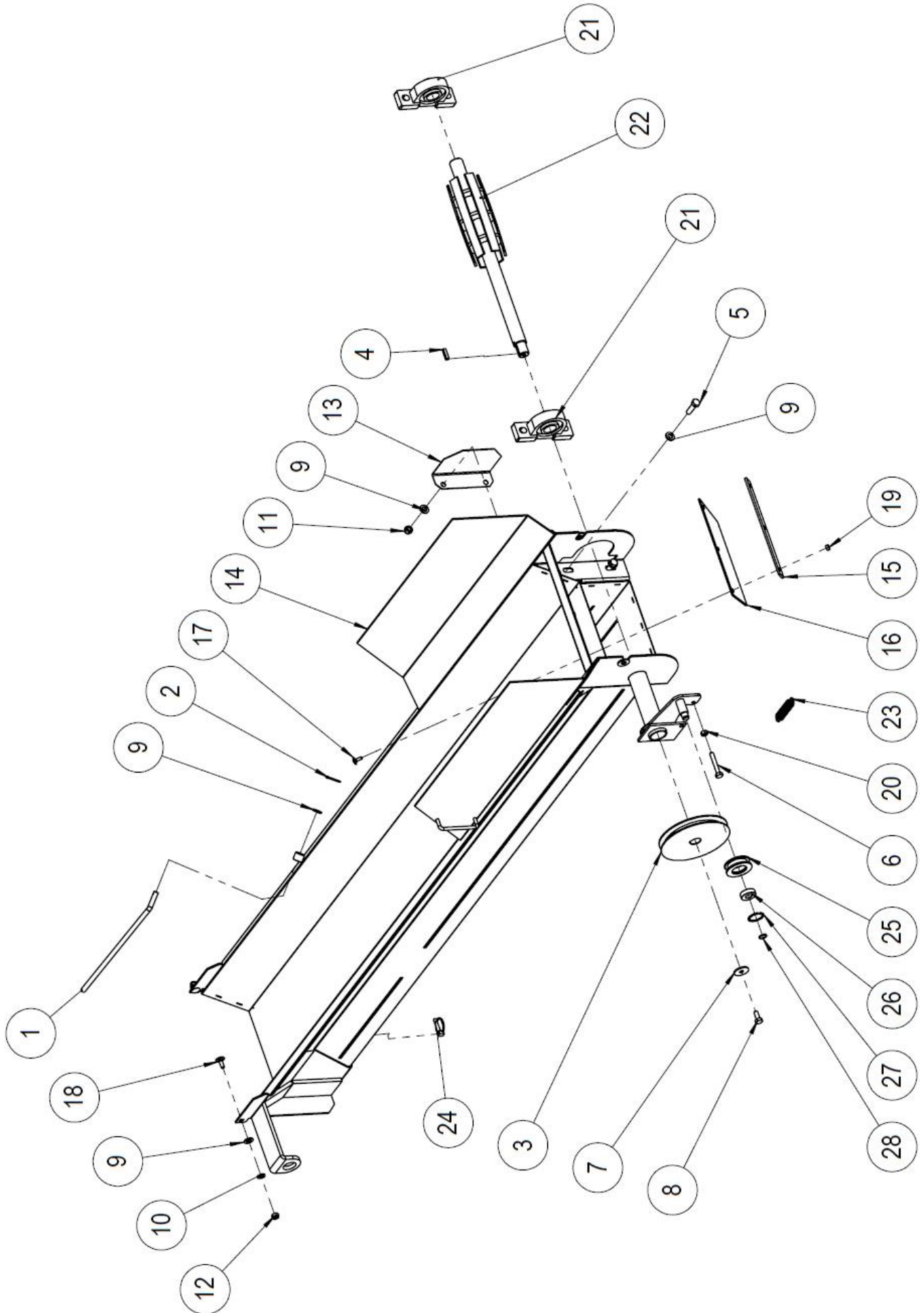




## 6 Lower section of the output conveyor (pivoting), parts list

No.	Part number	Name	Dimensions	Pcs
1	50016683	Lower frame of the conveyor		1
2	96186	Lock screw	DIN 603 M10x25	2
3	96191	Lock screw	DIN 603 M8x25	3
4	96058	Washer	DIN 125 A12	15
5	96049	Washer	DIN 125 A10	2
6	96068	Locking nut	DIN 985 M10	2
7	96222	Locking nut	DIN 985 M8	3
8	96218	Locking nut	DIN 985 M12	6
9	97213	USIT	1/2"	2
10	97203	Double nipple	3/8"-1/2"	2
11	95130	Conveyor rubber flap		1
12	96172	Flange bolt	M8x16	2
13	61172	Conveyor rubber flap fastening rod		1
14	97847	Hydraulic motor	100 cc	1
15	47654	Guard		1
16	96085	Washer	DIN 9021 M8	2
17	96149	Hex screw	DIN 933 M12x45	2
18	96148	Hex screw	DIN 933 M12x40	2
19	97211	USIT	1/4"	1
20	97371	Wedge		1
21	96242	Ring pin	8 mm	1
22	95058	Bearing unit UCP 207		2
23	50015676	Drive roller		1
24	95448	Chain coupling		1
25	47642	Wedge		1
26	96228	Clamping screw	DIN 916 M8x8	2
27	96362	Clamping screw	DIN 916 M6x8	2
28	96108	Hex screw	DIN 931 M12x50	2
29	50015466	Motor fastening plate		1
30	10819	Belt support		1
31	96246	Cotter pin	DIN 94 3.2x32	1
32	97201	Double nipple	1/4"-3/8"	1

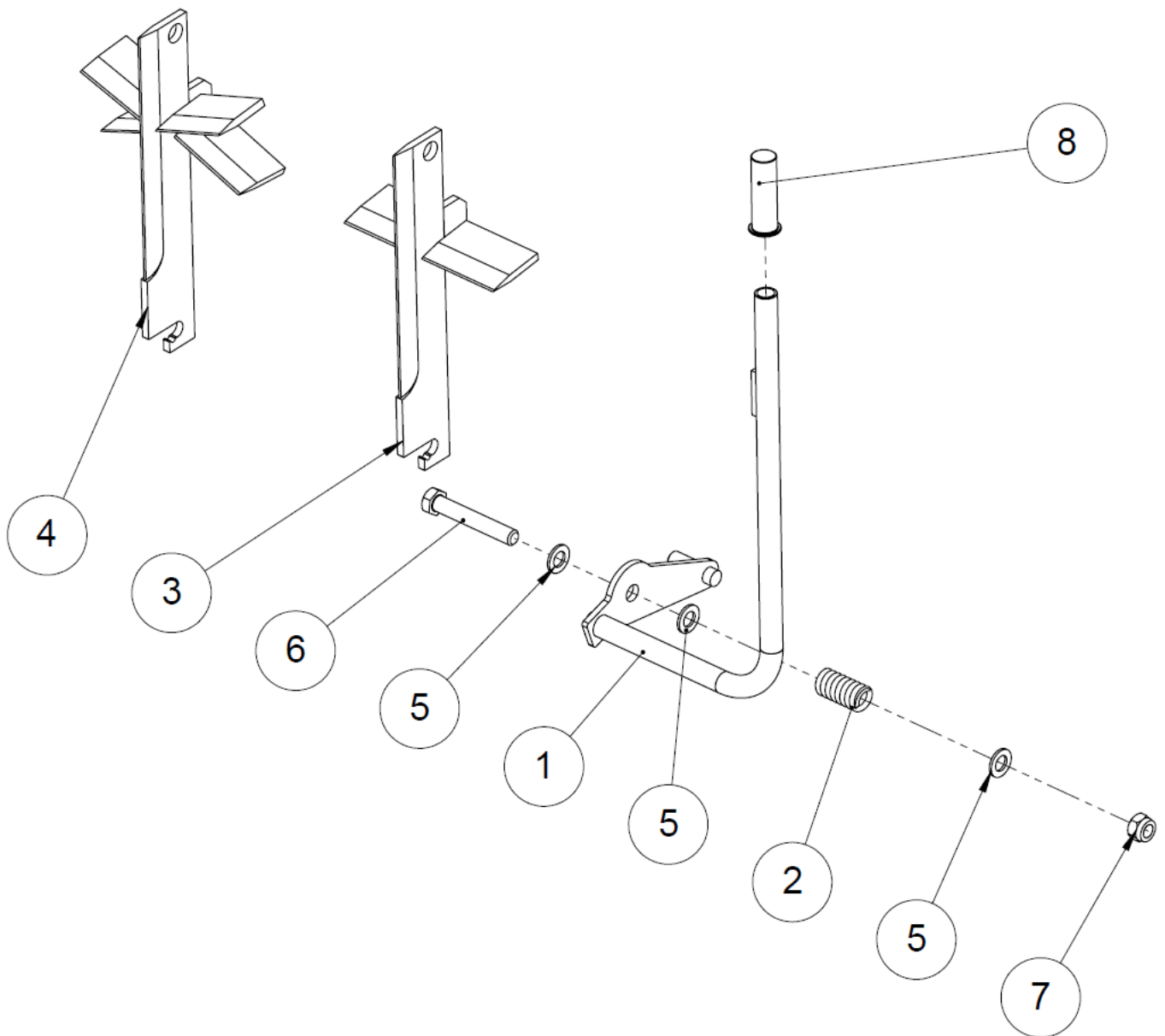
## 7 Lower section of the output conveyor (not pivoting)



## 8 Lower section of the output conveyor (not pivoting), parts list

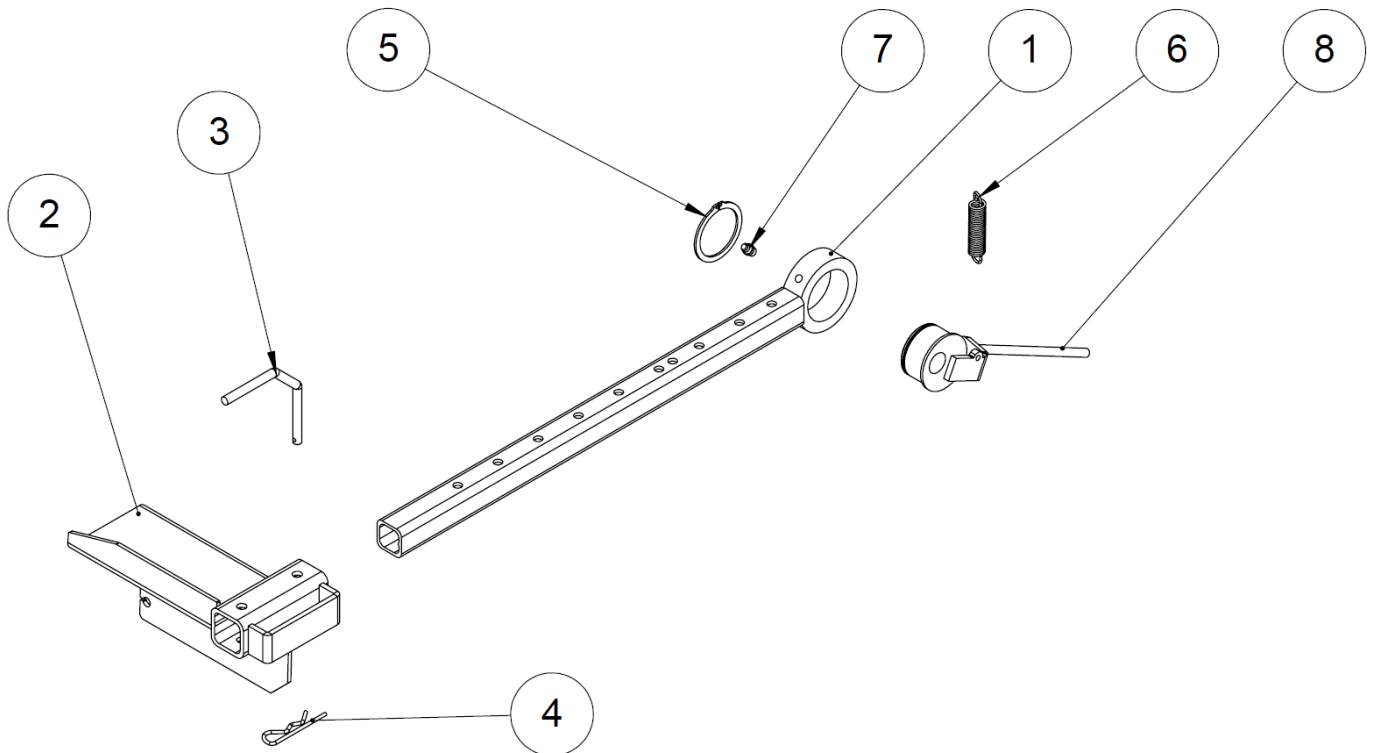
No.	Part number	Name	Dimensions	Pcs
1	10819	Belt support		1
2	96246	Cotter pin	DIN 94 3.2x32	1
3	10099	Belt pulley		1
4	37075	Wedge		1
5	96107	Hex screw	DIN 931 M12x45	4
6	96101	Hex screw	DIN 931 M10x65	1
7	10492	Washer		1
8	96139	Hex screw	DIN 933 M10x25	1
9	96058	Washer	DIN 125 A12	11
10	96049	Washer	DIN 125 A10	2
11	96218	Locking nut	DIN 985 M12	4
12	96068	Locking nut	DIN 985 M10	2
13	10128c	Shaft end guard		1
14	10829	Lower frame of the conveyor		1
15	61172	Fastening rod		1
16	95130	Conveyor rubber flap		1
17	96187	Lock screw	DIN 603 M8x20	3
18	96186	Lock screw	DIN 603 M10x25	2
19	96196	Hex nut	DIN 934 M8	3
20	96199	Hex nut	DIN 934 M10	1
21	95058	Bearing unit UCP 207		2
22	50001401	Drive roller		1
23	95016	Draw spring	2x20x100	1
24	96242	Ring pin	8 mm	1
25	10149a	Belt pulley		1
26	95048	Bearing	6203 2Z	1
27	96352	Retaining ring	DIN 472 40	1
28	96039	Retaining ring	DIN 471 17	1

## 9 Splitting knife adjustment lever + splitting knives



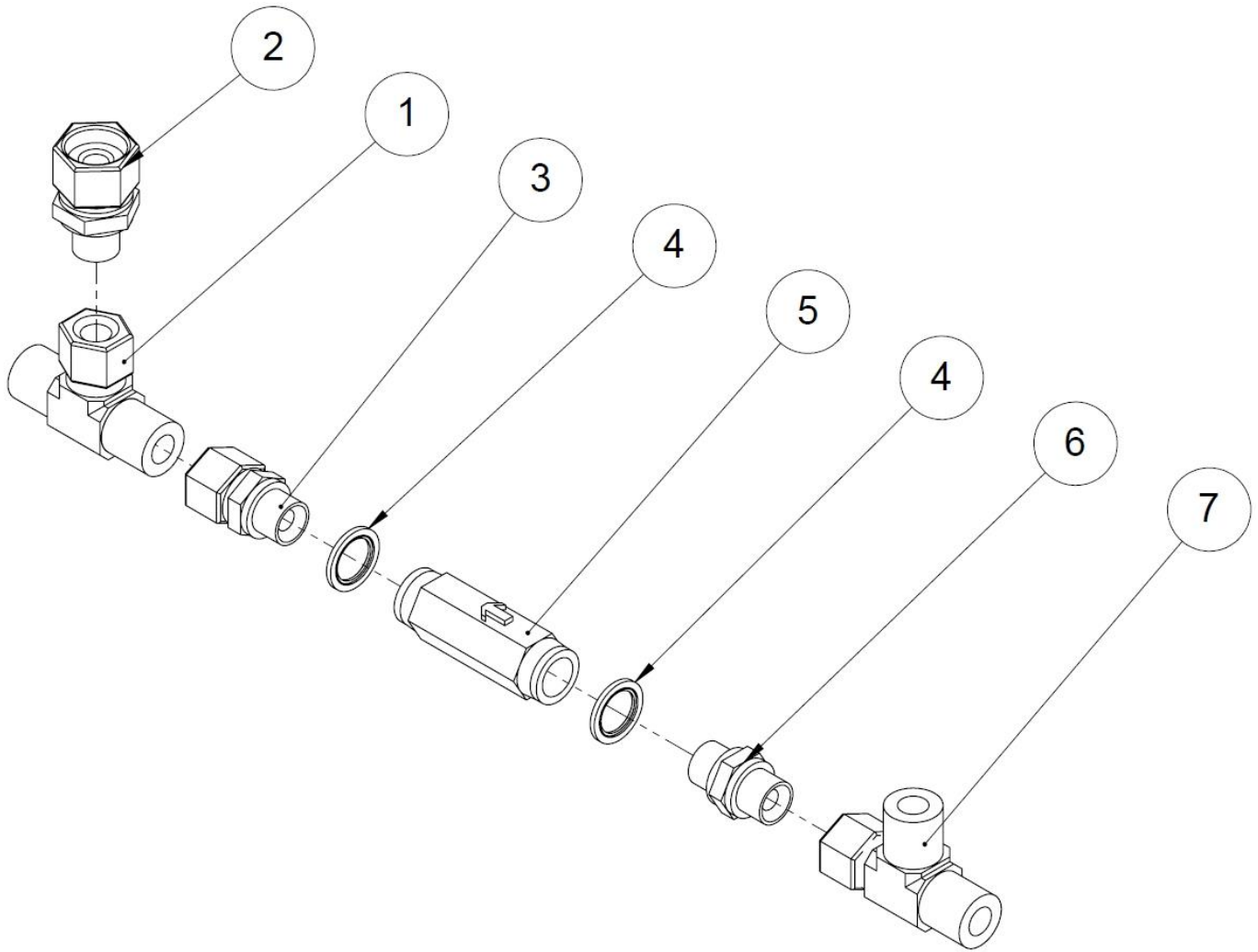
No.	Part number	Name	Dimensions	Pcs
1	50004469	Knife adjustment lever		1
2	95646	Pressure spring	8x25x80	1
3	50016873	4-way splitting knife		1
4	30300	6-way splitting knife		1
5	96054	Washer	DIN 125 A24	3
6	96343	Hex screw	DIN 931 M24x150	1
7	96214	Locking nut	M24	1
8	95648	Sheath		1

## 10 Log measuring device



No.	Part number	Name	Dimensions	Pcs
1	10196	Log length limiter pipe		1
2	50026056	Log length limiter		1
3	10065	Locking pin		1
4	96208	Hitch pin	DIN 11024 B3	1
5	96046	Retaining ring	DIN 471 50	1
6	95423	Draw spring	2x15 L=75 galvanised	1
7	96276	Lubrication nipple	M8X1	1
8	37562	Eccentric lever		1
<b>1-8</b>	<b>50025531</b>	<b>Measuring device assembly</b>		<b>1</b>

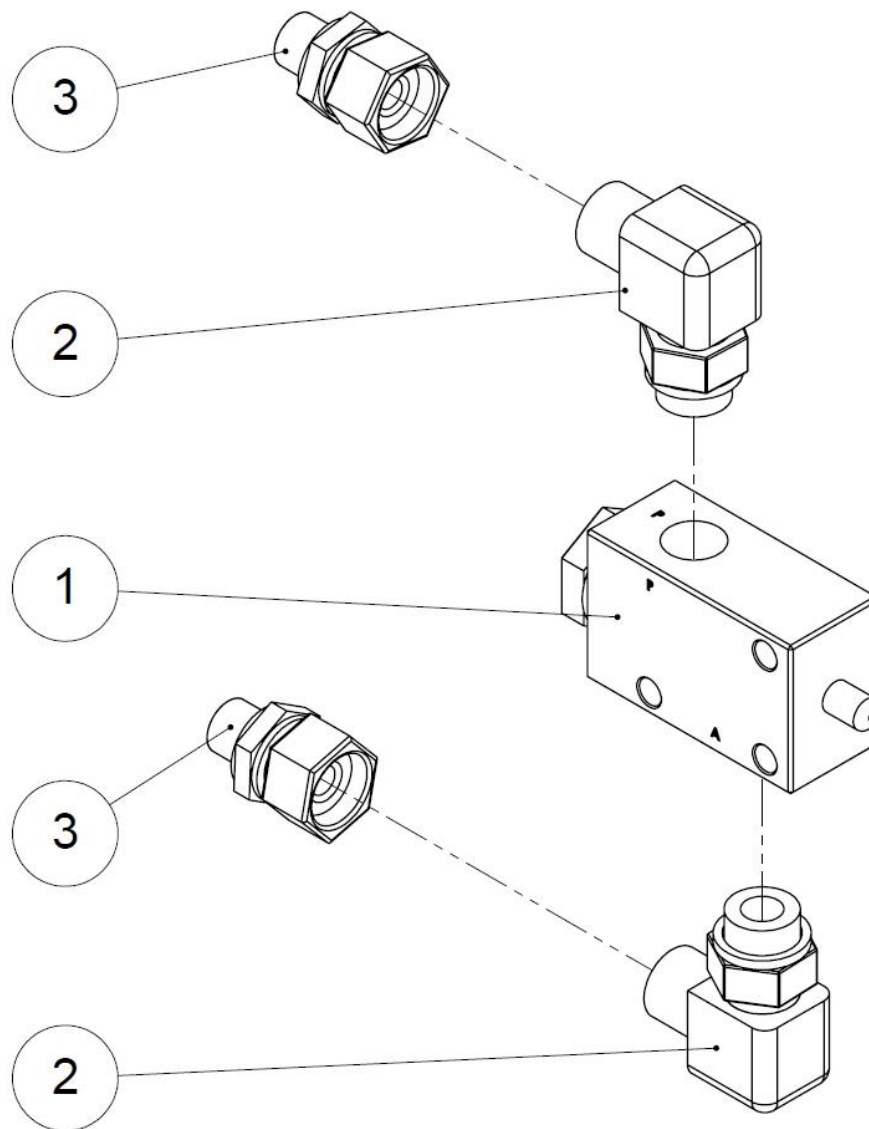
## 11 Splitting cylinder check valve



No.	Part number	Name	Dimensions	Pcs
1	97230	T-connector	3/8"	1
2	97218	Connecting nipple	1/2" int. - 3/8" ext.	1
3	97219	Connecting nipple	3/8" int. - 3/8" ext.	1
4	97212	USIT	3/8"	2
5	97251	Check valve	3/8"	1
6	97202	Double nipple	3/8" ext. - 3/8" ext.	1
7	97234	T-junction	3/8 ext./ext./int.	1
<b>1-7</b>	<b>50025488</b>	<b>Check valve assembly</b>		<b>1</b>

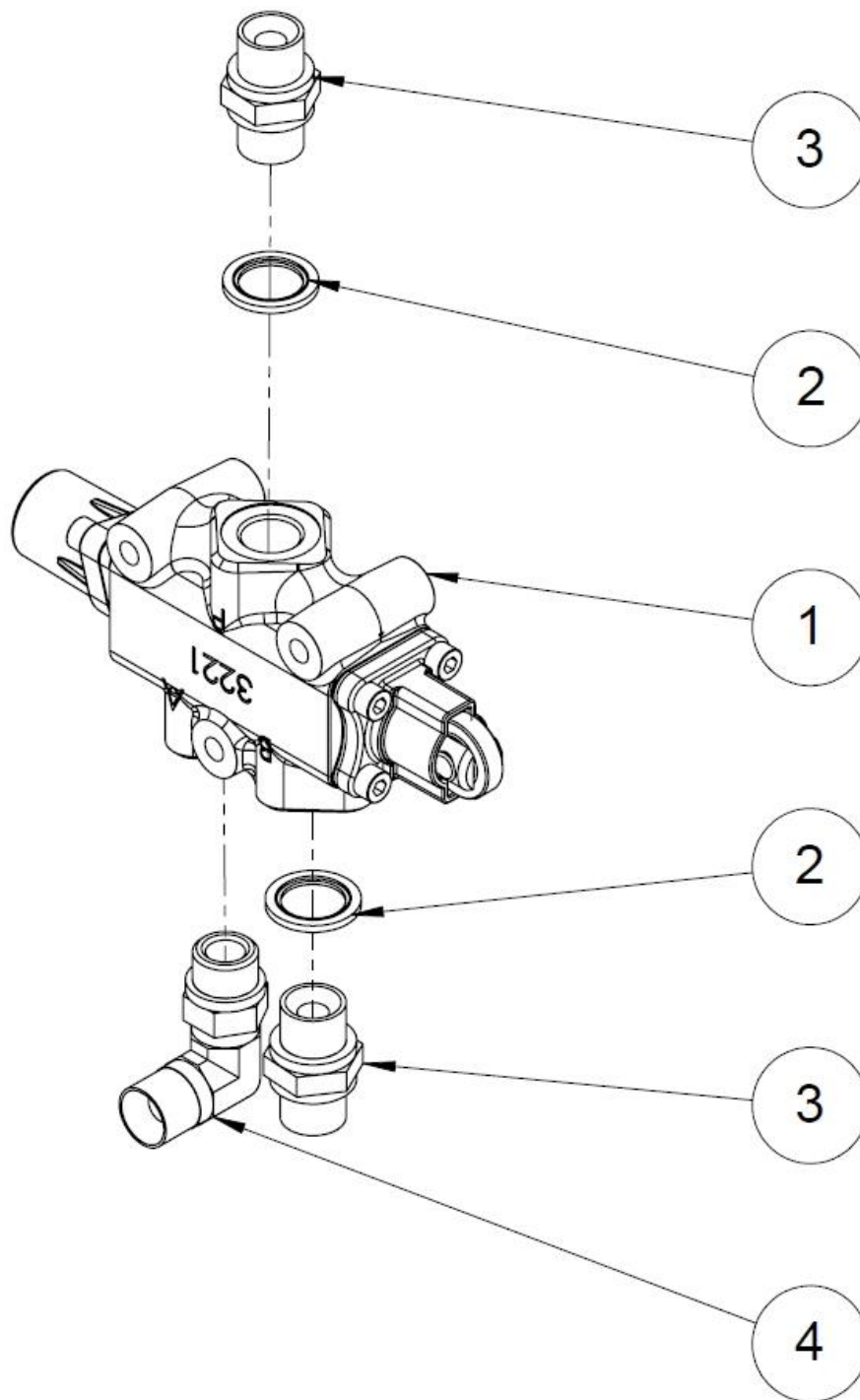
**ext. = external thread**  
**int. = internal thread**

## 12 Stroke limiter valve



No.	Part number	Name	Dimensions	Pcs
1	97866	Stroke limiter valve	V-121 1/2" NC	1
2	97247	Directional elbow nipple	1/2"	2
3	97218	Connecting nipple	1/2" int. - 3/8" ext.	2
<b>1-3</b>	<b>50025190</b>	<b>Stroke limiter valve assembly</b>		<b>1</b>

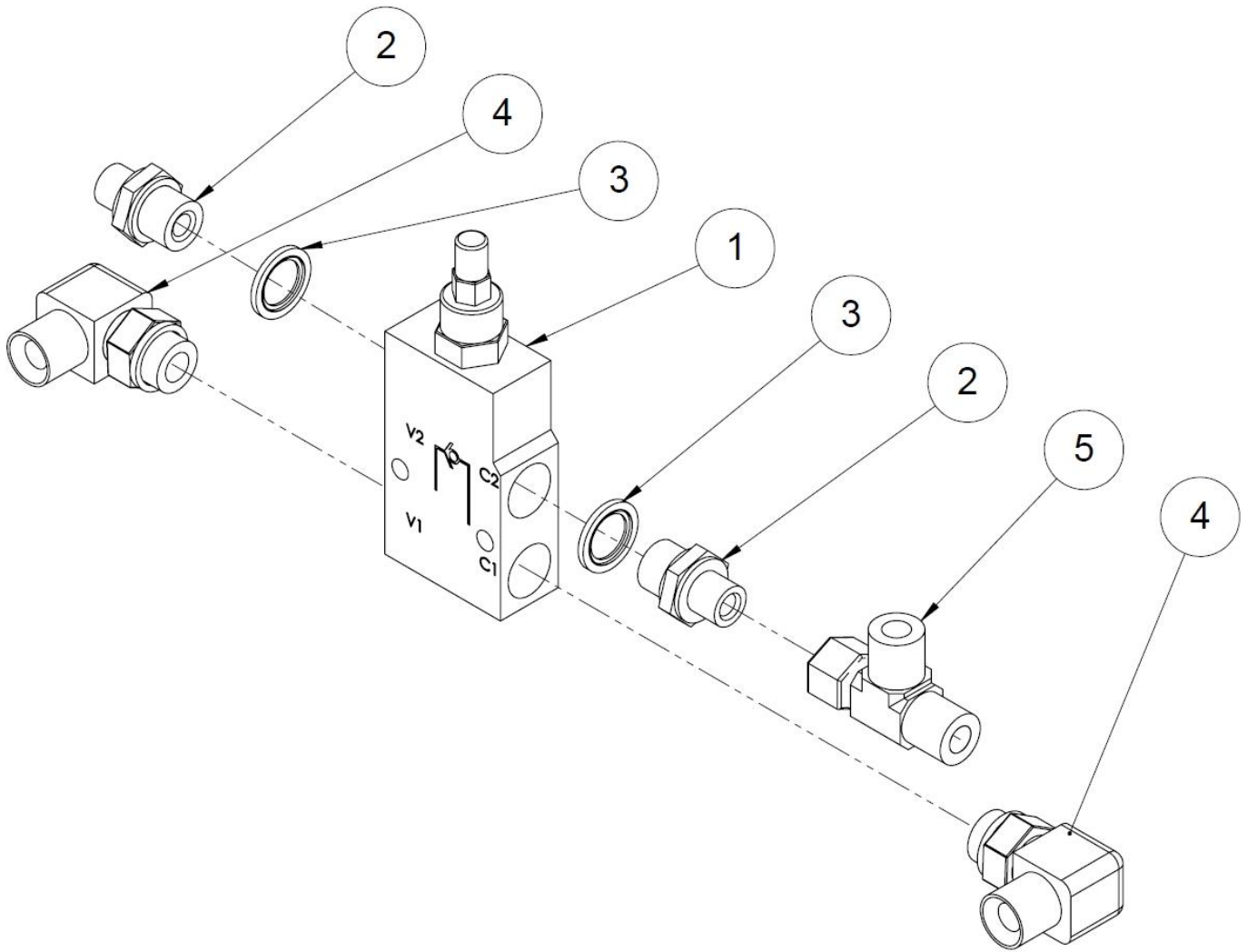
## 13 Input conveyor valve



No.	Part number	Name	Dimensions	Pcs
1	97522	Valve	DF5/3A17C	1
2	97212	USIT	3/8"	2
3	97202	Double nipple	3/8" ext. - 3/8" ext.	2
4	97250	Directional elbow nipple	3/8"	1
<b>1-4</b>	<b>50025178</b>	<b>Input valve assembly</b>		<b>1</b>

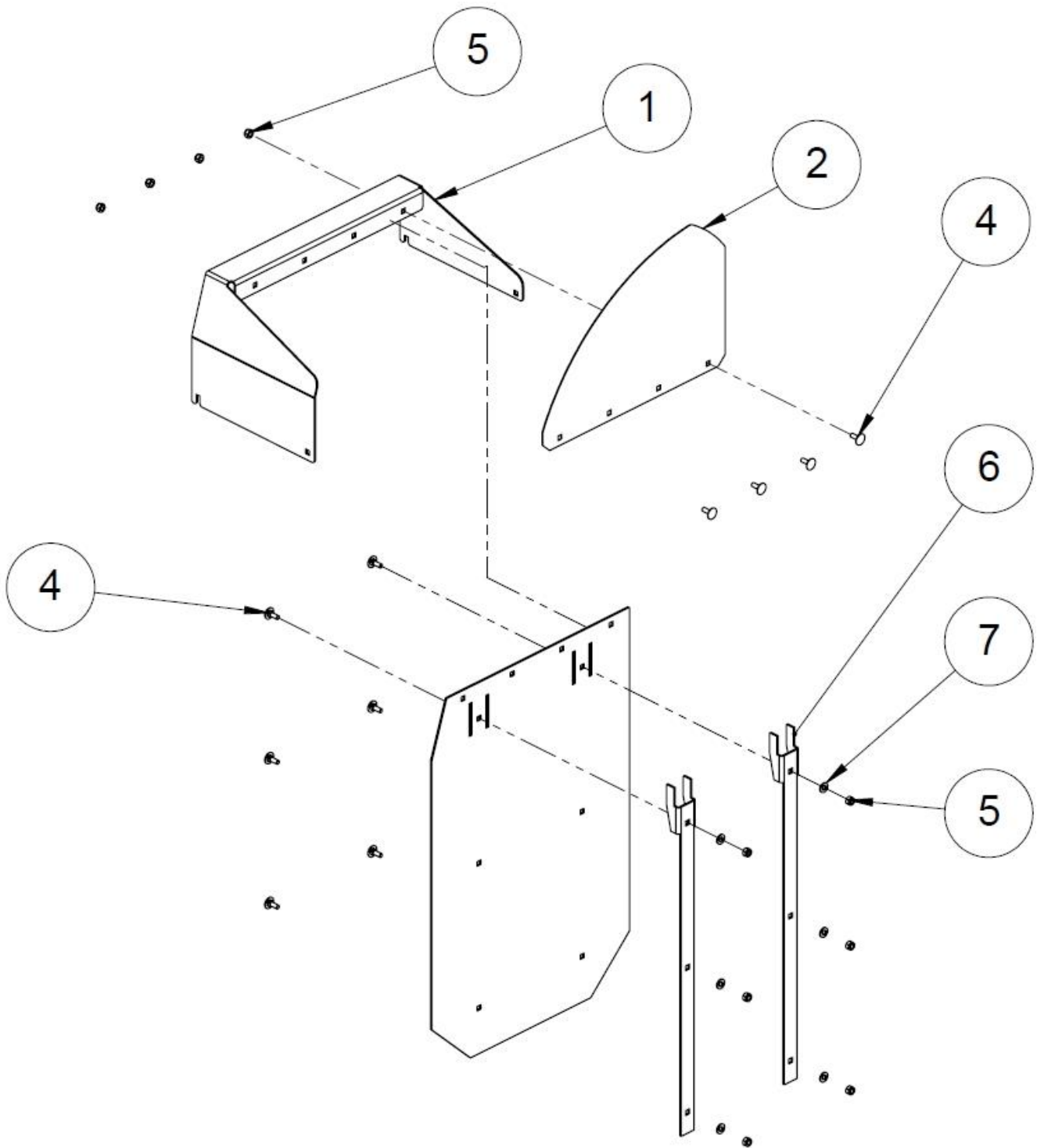


## 14 Load control valve



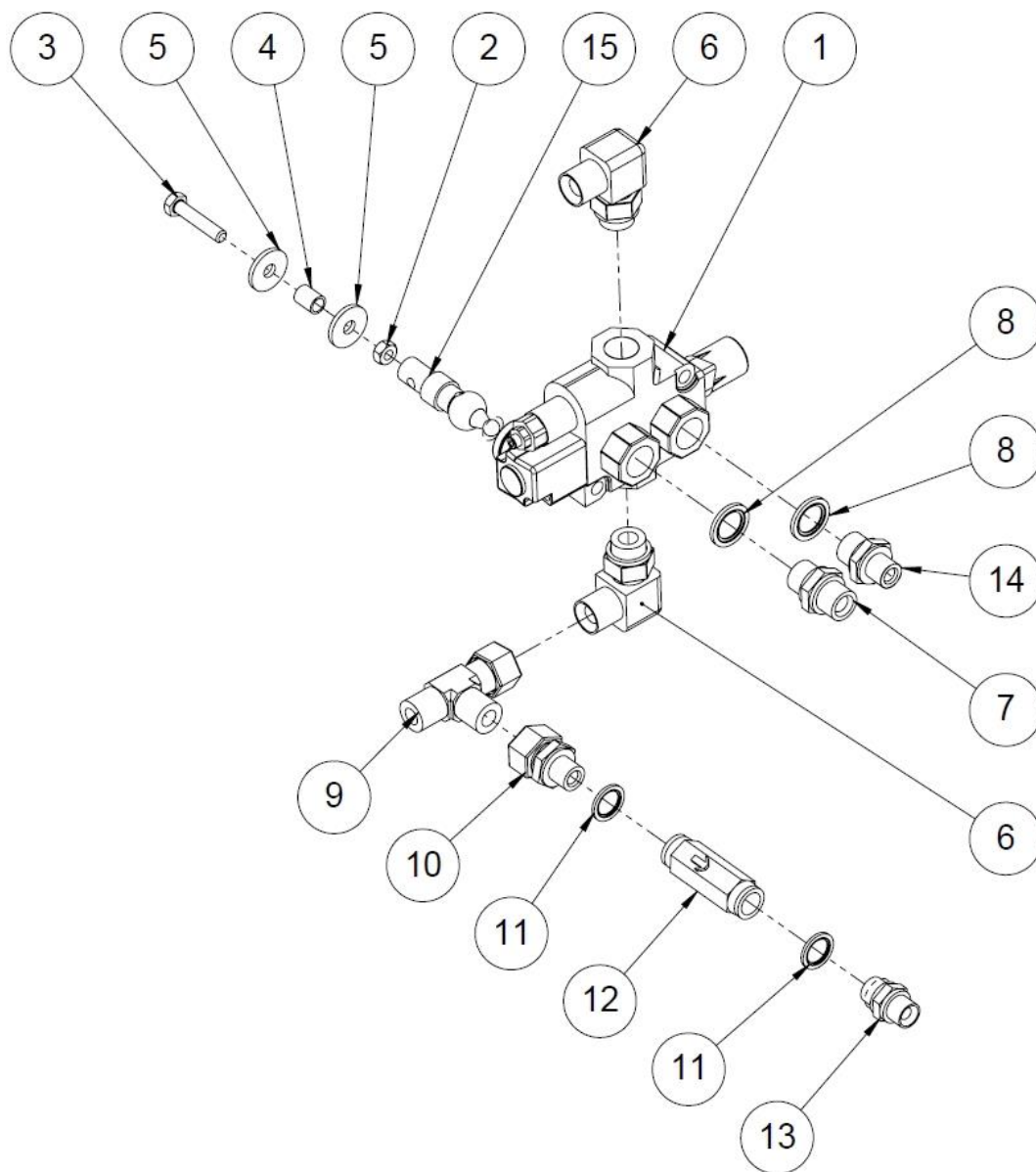
No.	Part number	Name	Dimensions	Pcs
1	97591	Load control valve	1/2"	1
2	97203	Double nipple	3/8"-1/2"	2
3	97213	USIT	1/2"	2
4	97247	Directional elbow nipple	1/2"	2
5	97234	L-connector	3/8"	1
<b>1-5</b>	<b>50025169</b>	<b>Load control valve assembly</b>		<b>1</b>

## 15 Splitting guard



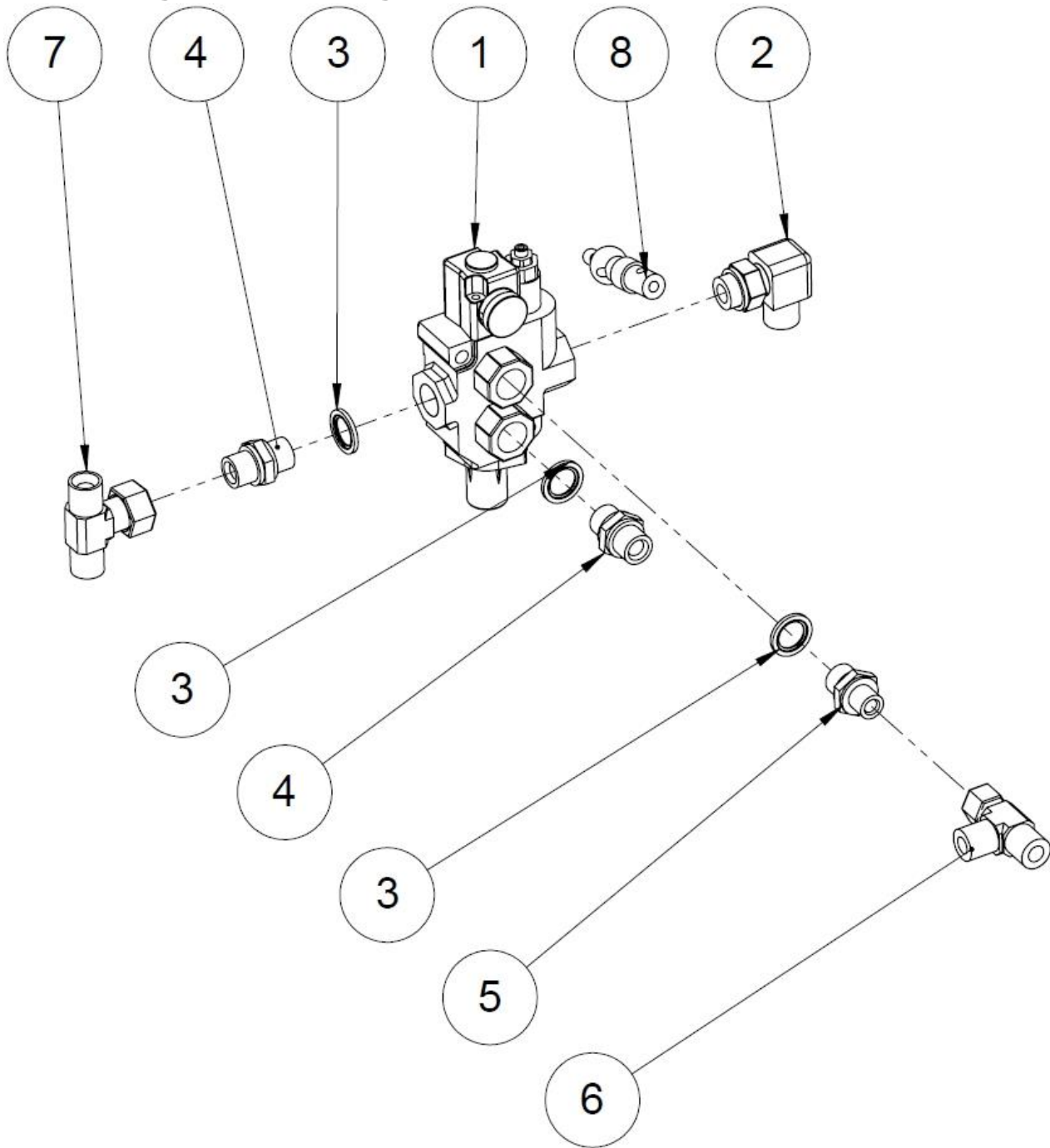
No.	Part number	Name	Dimensions	Pcs
1	50022653	Splitting guard bracket		1
2	37614	Upper cover		1
3	50022662	Protective strip		1
4	96187	Lock screw	DIN 603 M8x20	10
5	96222	Locking nut	DIN 985 M8	10
6	50022673	Guard mesh rod		2
7	96061	Washer	DIN 125 A8	6
<b>1-7</b>	<b>50022657</b>	<b>Splitting guard assembly</b>		<b>1</b>

## 16 Relief valve



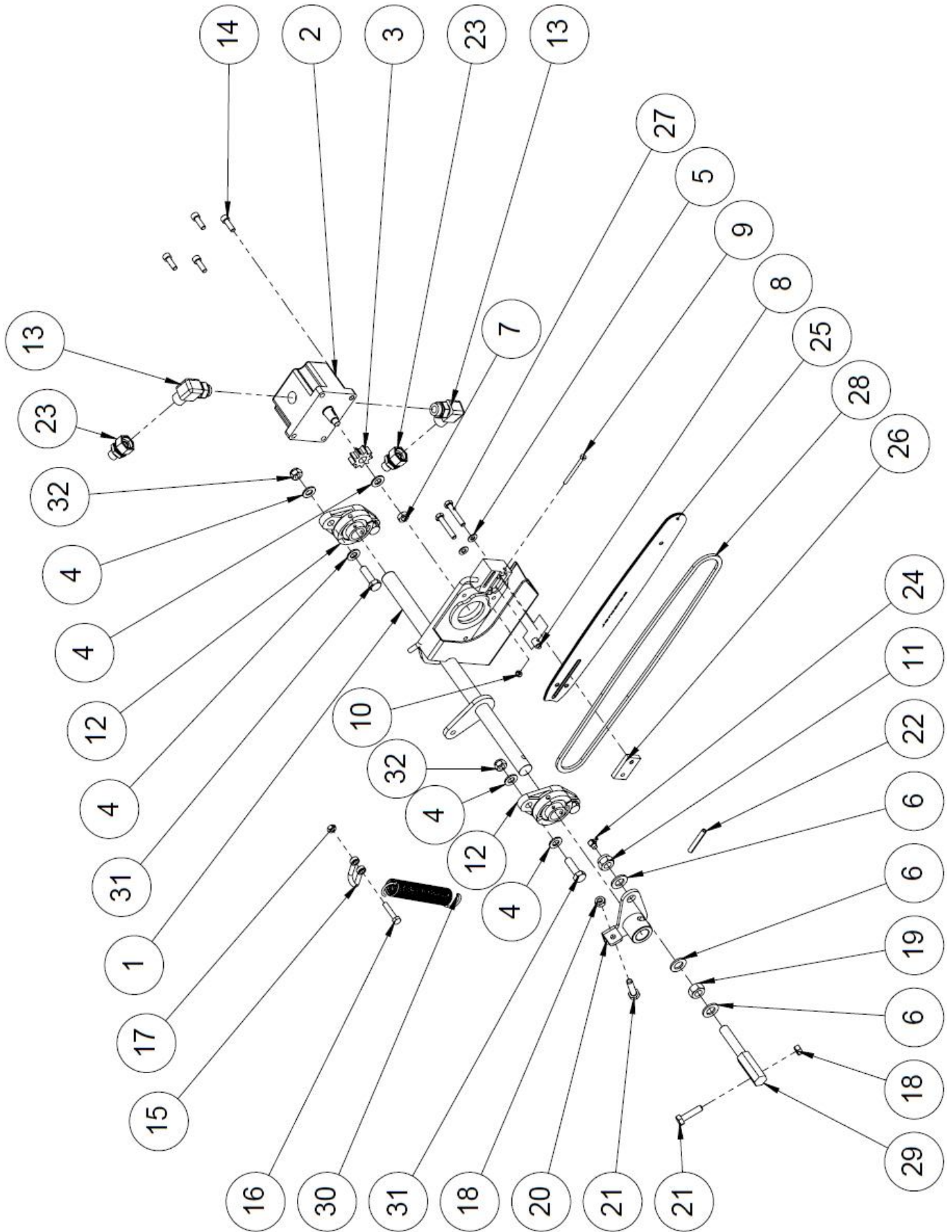
No.	Part number	Name	Dimensions	Pcs
1	97821	Valve		1
2	96196	Hex nut	DIN 934 M8	1
3	96167	Hex screw	DIN 933 M8x40	1
4	50016647	Bushing		1
5	96082	Washer	DIN 440 M8	2
6	97247	Directional elbow nipple	1/2"	2
7	97204	Double nipple	1/2"-1/2"	1
8	97213	USIT	1/2"	2
9	97228	T-connector	1/2"	1
10	97218	Connecting nipple	1/2" int. - 3/8" ext.	1
11	97212	USIT	3/8"	2
12	97251	Check valve	3/8"	1
13	97202	Double nipple	3/8"-3/8"	1
14	97203	Double nipple	3/8"-1/2"	1
15	97354	Ball joint		1
<b>1-15</b>	<b>50022335</b>	<b>Relief valve assembly</b>		<b>1</b>

## 17 Cutting and splitting valve



No.	Part number	Name	Dimensions	Pcs
1	97821	Valve		1
2	97247	Directional elbow nipple	1/2"	1
3	97213	USIT	1/2"	3
4	97204	Double nipple	1/2"-1/2"	2
5	97203	Double nipple	3/8"-1/2"	1
6	97234	T-connector	3/8"	1
7	97229	T-connector	1/2"	1
8	97354	Ball joint		1
1-8	50020461	Cutting and splitting valve assembly		1

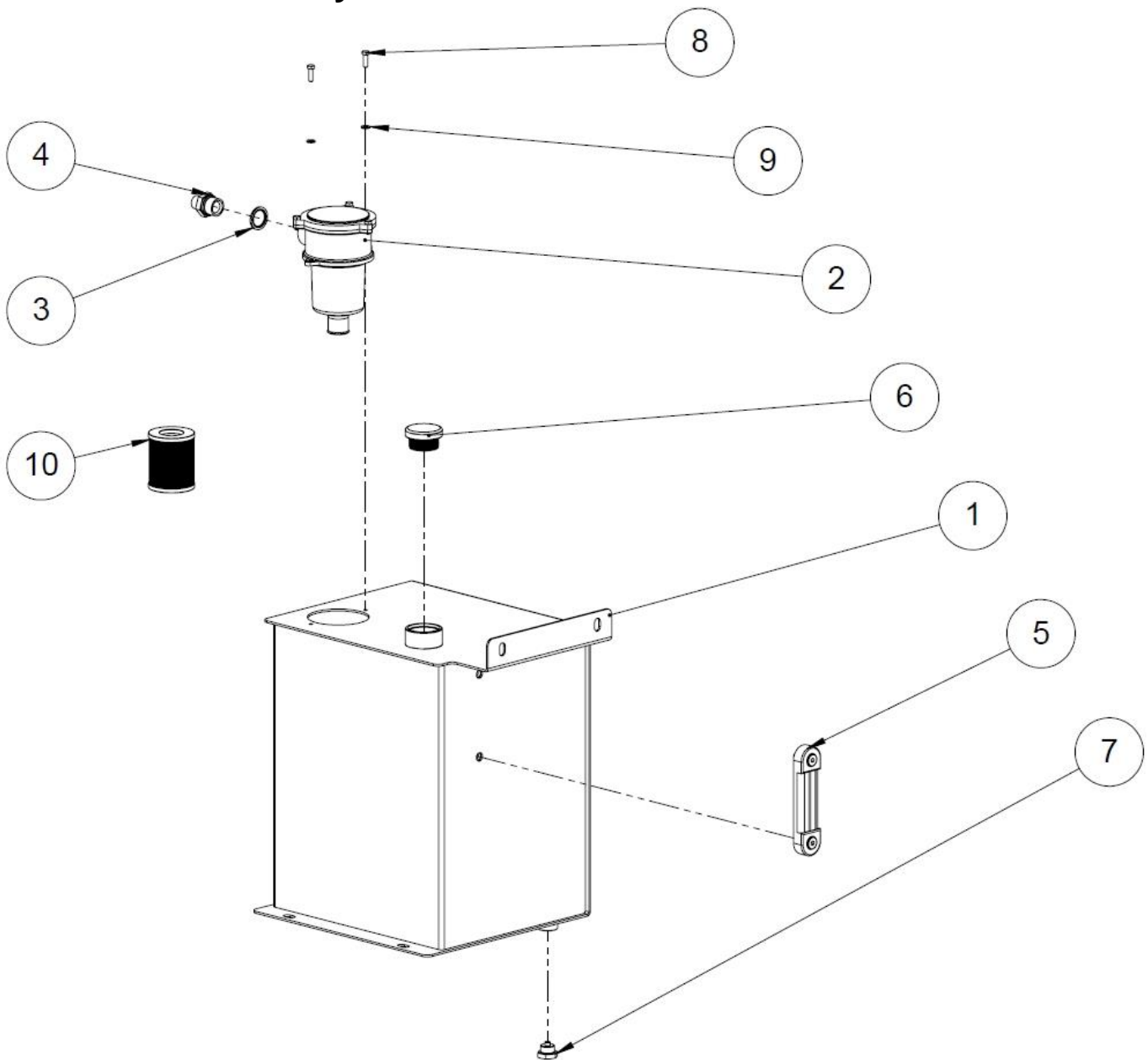
# 18 Saw assembly



## 19 Saw parts list

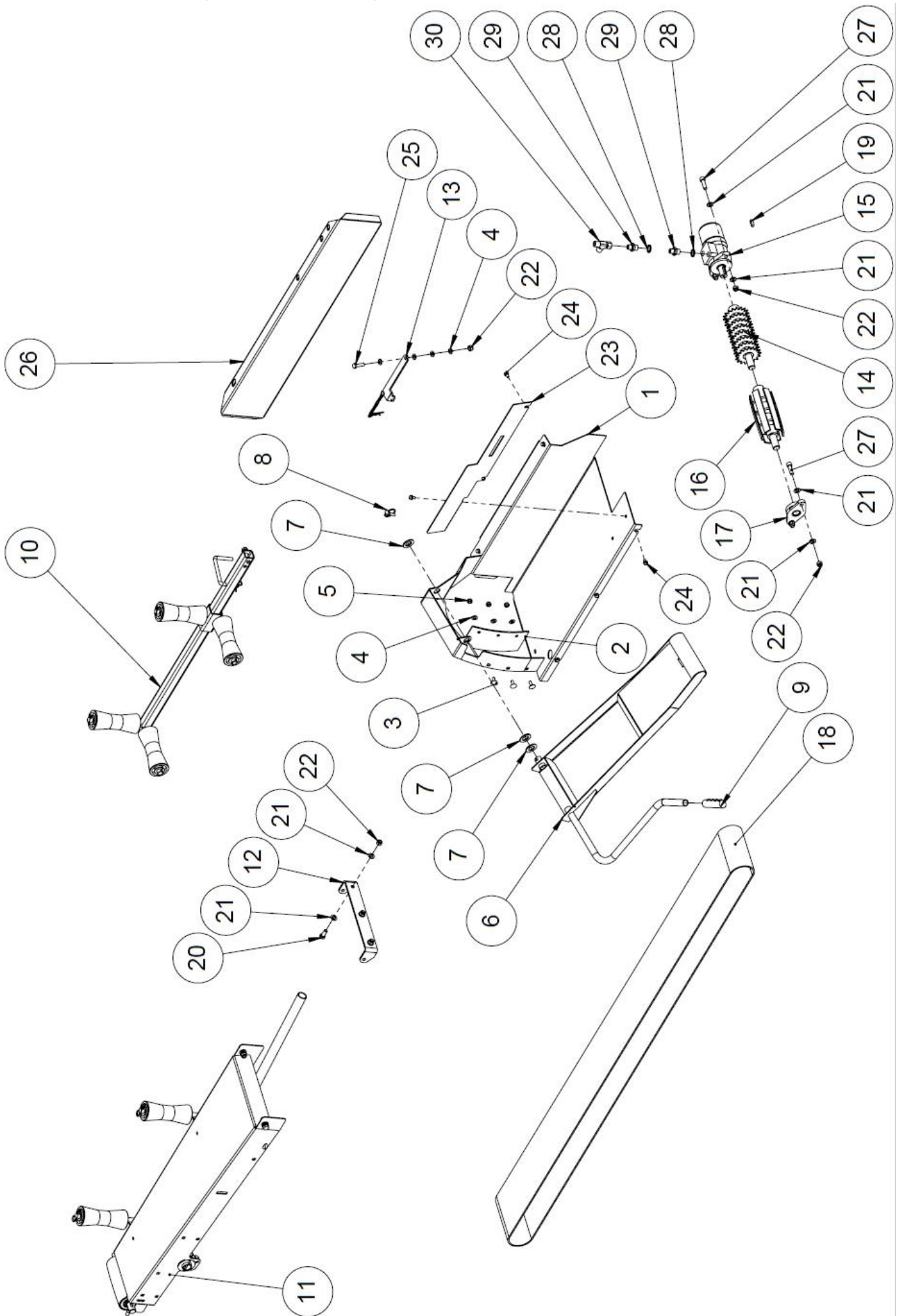
No.	Part number	Name	Dimensions	Pcs
1	50019768	Drive end frame		1
2	97862	Hydraulic motor		1
3	50010841	Drive wheel	325-9	1
4	96058	Washer	DIN 125 A12	9
5	96061	Washer	DIN 125 A8	2
6	96059	Washer	DIN 125 A16	3
7	96206	Hex nut	DIN 936 M12	1
8	10046	Bar tightening pin		1
9	96266	Slot head screw	DIN 84 M6x60	1
10	96221	Locking nut	DIN 985 M6	1
11	96219	Locking nut	DIN 985 M16	1
12	95318	Bearing	UC 205	2
13	97247	Directional elbow nipple	1/2"	2
14	96035	Hex socket screw	DIN 912 M8x25	4
15	96408	Shackle		1
16	96123	Hex screw	DIN 931 M8x40	1
17	96196	Hex nut	DIN 934 M8	1
18	96199	Hex nut	DIN 934 M10	2
19	96195	Hex nut	DIN 934 M16	1
20	50017118	Saw drive joint	DIN 933 10.9 M10x40	1
21	96129	Hex screw		2
22	96078	Spring pin	DIN 1481 8x50	1
23	97218	Connecting nipple	1/2" int. - 3/8" ext.	2
24	96275	Lubrication nipple M8x1 90 GR		2
25	95145	Saw bar 15"		1
26	10044	Saw bar fastening plate		1
27	96291	Hex screw	DIN 931 10.9 M8x50	2
28	95148	Saw chain	66 loops/0.325"/1.5 mm	1
29	50025148	Operating rod pin		1
30	95403	Draw spring	3.5x30x180	1
31	96148	Hex screw	DIN 933 M12x40	4
32	96218	Locking nut	DIN 985 M12	4
<b>1-3, 7-10, 12-18, 20, 22, 24, 25, 32</b>	<b>50019769</b>	<b>Saw assembly</b>		<b>1</b>

## 20 Oil tank assembly



No.	Part number	Name	Dimensions	Pcs
1	50019762	Oil tank frame		1
2	97291	Filter box, complete		1
3	97214	USIT	3/4"	1
4	97205	Double nipple	1/2"-3/4"	1
5	97552	Oil level sight glass		1
6	97429	Filler cap		1
7	97399	Base plug with magnet	1/2"	1
8	96135	Hex screw	DIN 933 M6x20	2
9	96060	Washer	DIN 125 A6	2
10	97290	Filter insert		1
<b>1-10</b>	<b>50019763</b>	<b>Oil tank assembly</b>		<b>1</b>

# 21 Input conveyor assembly

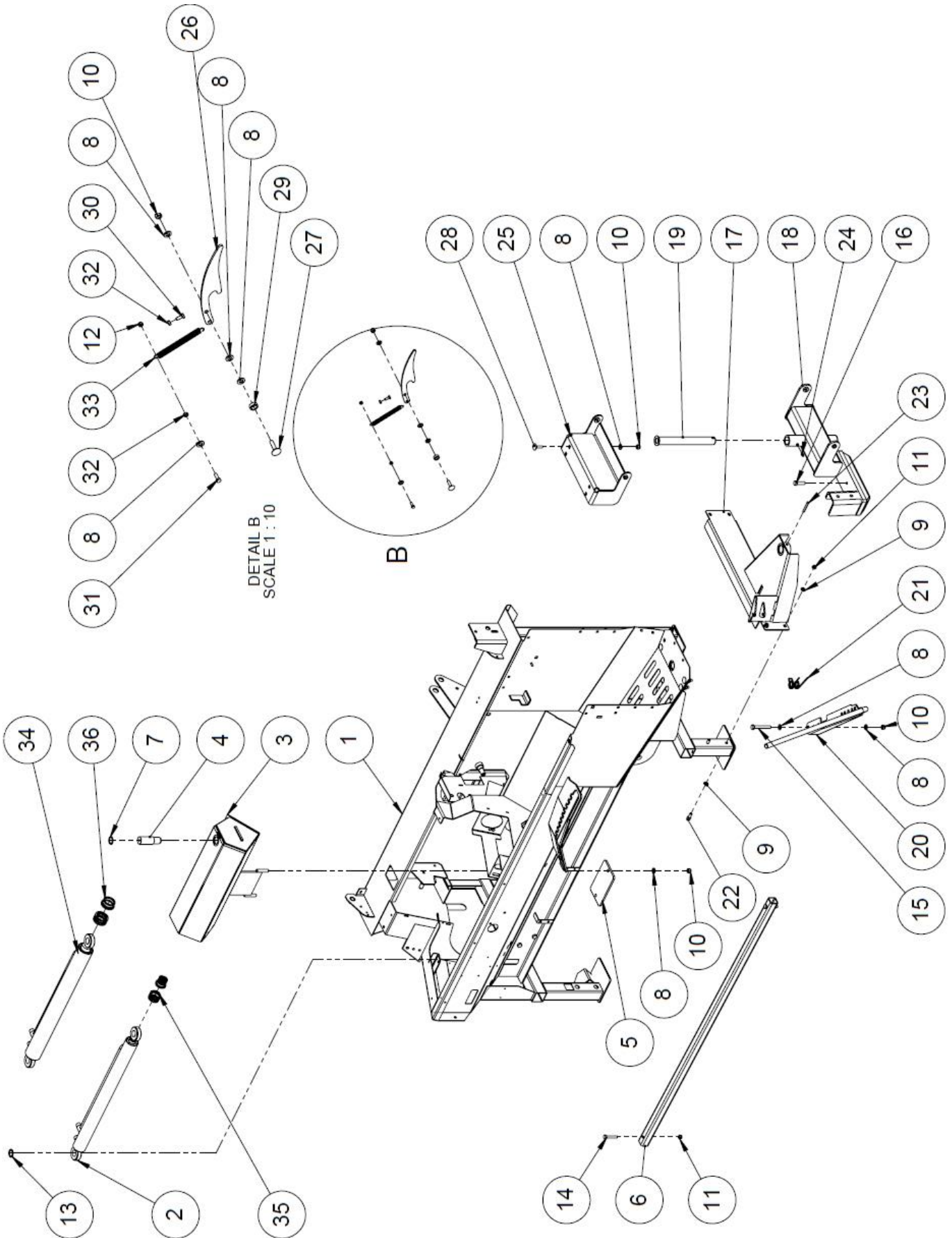




## 22 Input conveyor parts list

No.	Part number	Name	Dimensions	Pcs
1	50019740	Input table frame		1
2	50012922	Finger guard		1
3	96186	Lock screw	DIN 603 M10x25	3
4	96049	Washer	DIN 125 A10	7
5	96068	Locking nut	DIN 985 M10	3
6	50003671	Wood gripper		1
7	96054	Washer	DIN 125 A24	3
8	96242	Ring pin	8 mm	1
9	95595	Handle		1
10	10056	Extension roller		1
11	50012752	Input table extension		1
12	50019742	Extension attaching plate		1
13	50020479	Extension transport lock		1
14	50022692	Spiked feed roller HP30		1
15	97309	Hydraulic motor		1
16	50000467	Input conveyor drive roller		1
17	95318	UC 205 Bearing		1
18	95680	Input conveyor belt		1
19	97371	Wedge		1
20	96146	Hex screw	DIN 933 M12x30	3
21	96058	Washer	DIN 125 A 12	14
22	96218	Locking nut	DIN 985 M12	8
23	50007025	Guard		1
24	96247	Flange bolt	M8x12	9
25	96129	Hex screw	DIN 933 M10x40	1
26	35205	Log guide plate		1
27	96027	Hex socket screw	DIN 912 M12x40	4
28	97213	USIT	1/2"	2
29	97203	Double nipple	3/8"-1/2"	2
30	97234	L-connector	3/8"	1
<b>1-5</b>	<b>50019741</b>	<b>Input table assembly</b>		<b>1</b>

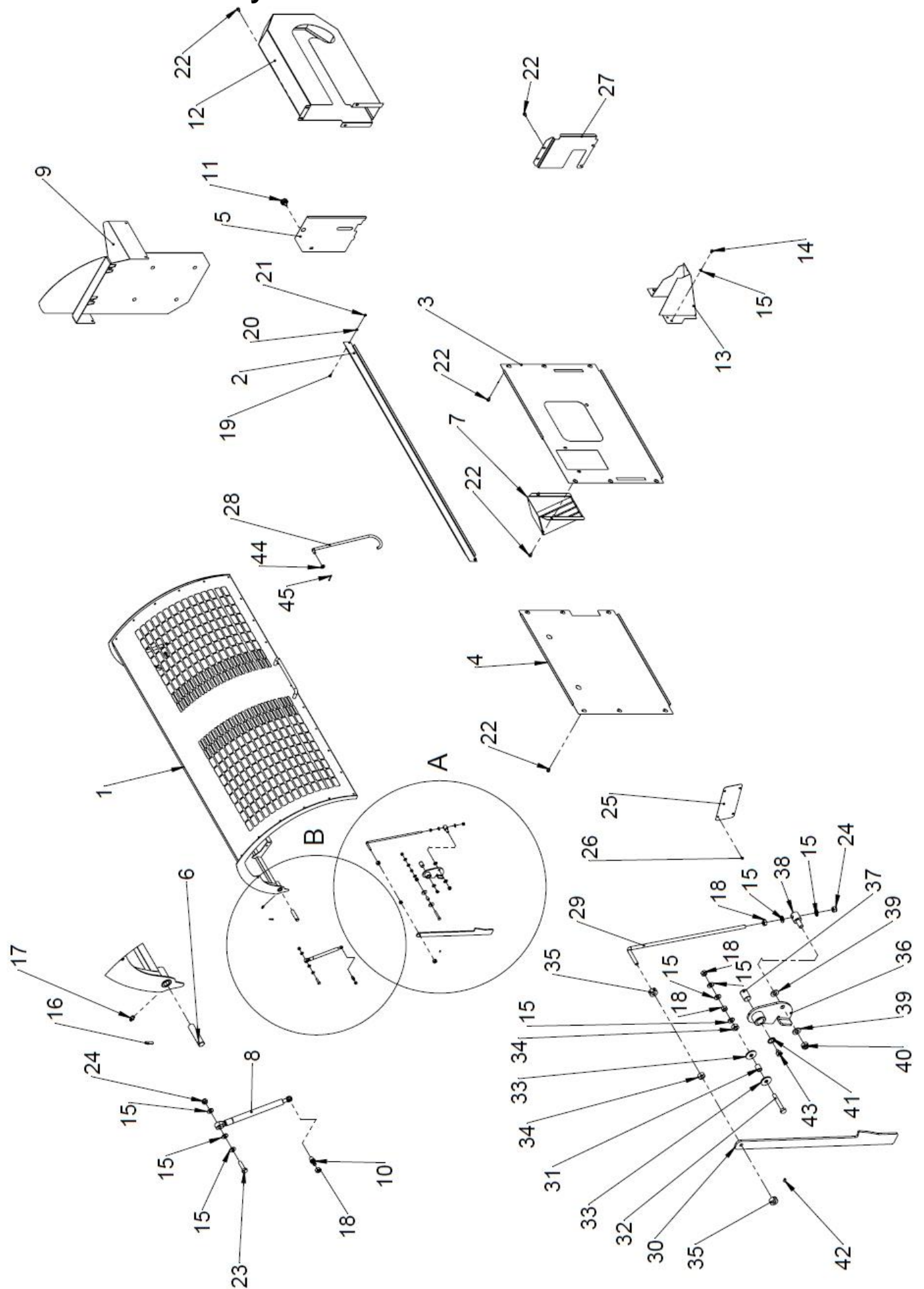
# 23 Frame assembly



## 24 Frame parts list

No.	Part number	Name	Dimensions	Pcs
1	50019601	Frame HP30		1
2	97859	Cylinder, complete	50/32 - 580	1
3	50019645	Slide HP30		1
4	50002779	Pin		1
5	50019558	Slide support plate		1
6	50017025	Conveyor pipe		1
7	96240	Retaining ring	DIN 472 35	1
8	96058	Washer	DIN 125 A12	12
9	96049	Washer	DIN 125 A10	8
10	96218	Locking nut	DIN 985 M12	8
11	96068	Locking nut	DIN 985 M10	6
12	96222	Locking nut	DIN 985 M8	1
13	96044	Retaining ring	DIN 471 30	1
14	96100	Hex screw	DIN 931 M10x60	2
15	96111	Hex screw	DIN 931 M12x90	1
16	96107	Hex screw	DIN 931 M12x45	1
17	50019603	Output conveyor turning support		1
18	10600	Output conveyor turning device		1
19	50006392	Turning device pin		1
20	50012586	Output conveyor stopper		1
21	95432	Double torsion spring		1
22	96329	Hex socket screw	DIN 912 M10x25	4
23	96079	Spring pin	DIN 1481 8x60	1
24	96276	Lubrication nipple	M8X1	1
25	50016791	Output conveyor fastener		1
26	10229	Conveyor locking latch		1
27	96190	Lock screw	DIN 603 M12x45	1
28	96189	Lock screw	DIN 603 M12x40	4
29	10381	Intermediate bushing		1
30	96161	Hex screw	DIN 933 M8x20	1
31	96164	Hex screw	DIN 933 M8x25	1
32	96196	Hex nut	DIN 934 M8	2
33	95028	Draw spring	2x15x150	1
34	97860	Cylinder, complete	63/45-580	1
35	97867	Cylinder seal kit	D50-32	1
36	97868	Cylinder seal kit	D63-45	1

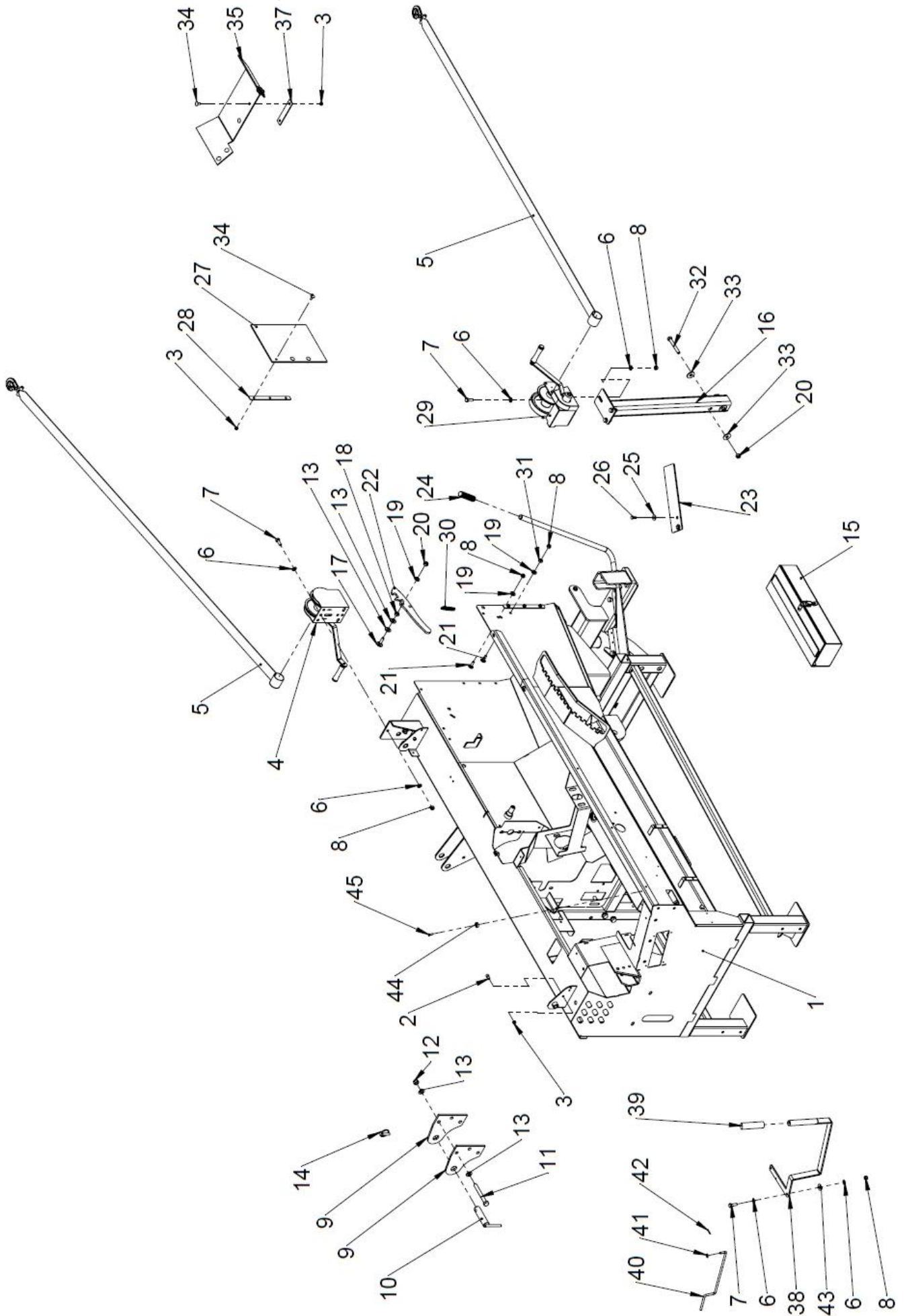
# 25 Guard assembly



## 26 Guard parts list

No.	Part number	Name	Dimensions	Pcs
1	37430	Upper guard		1
2	37447	Baffle		1
3	50020329	Gear guard plate		1
4	50020330	Oil tank guard plate		1
5	50020331	Cover plate		1
6	47967	Cage pin		2
7	37551	Sawdust guide		1
8	95562	Gas spring 4498		2
9	50022657	Splitting guard		1
10	95542	Gas spring ball head	M8 D10	2
11	95033	Knurled head screw	M8-20	1
12	50022704	Belt guard		1
13	50004189	Sawdust trough		1
14	96160	Hex screw	DIN 933 M8x12	2
15	96061	Washer	DIN 125 A8	13
16	96354	Spring pin	DIN 1481 6x24	2
17	96276	Lubrication nipple	M8X1	2
18	96196	Hex nut	DIN 934 M8	5
19	96004	Hex socket screw	ISO 7380 M6x16	2
20	96060	Washer	DIN 125 A6	2
21	96221	Locking nut	DIN 985 M6	2
22	96427	Flange bolt	M8x12	18
23	96165	Hex screw	DIN 933 M8x30	2
24	96222	Locking nut	DIN 985 M8	3
25	50023862	Cover plate		1
26	96003	Hex socket screw	ISO 7380 M5x12	4
27	50022450	End guard		1
28	8055	Cardan shaft hook		1
29	50017568	Safety rod		1
30	50017496	Blocking plate		1
31	50016647	Shackle bushing		1
32	96125	Hex screw	DIN 931 M8x55	1
33	96082	Washer	DIN 440 M8	2
34	96199	Hex nut	DIN 934 M10	2
35	50009248	Stopper		2
36	50017573	Valve press		1
37	95062	Slide bearing		1
38	50006075	Joint nipple		1
39	96049	Washer	DIN 125 A10	2
40	96068	Locking nut	DIN 985 M10	1
41	96038	Retaining ring	DIN 471 16	1
42	no number	Clamping screw	DIN 914 M6x10	2
43	96272	Lubrication nipple	M6X1 45 GR	1
44	96058	Washer	DIN 125 A12	1
45	96246	Cotter pin	DIN 94 3.2x32	1

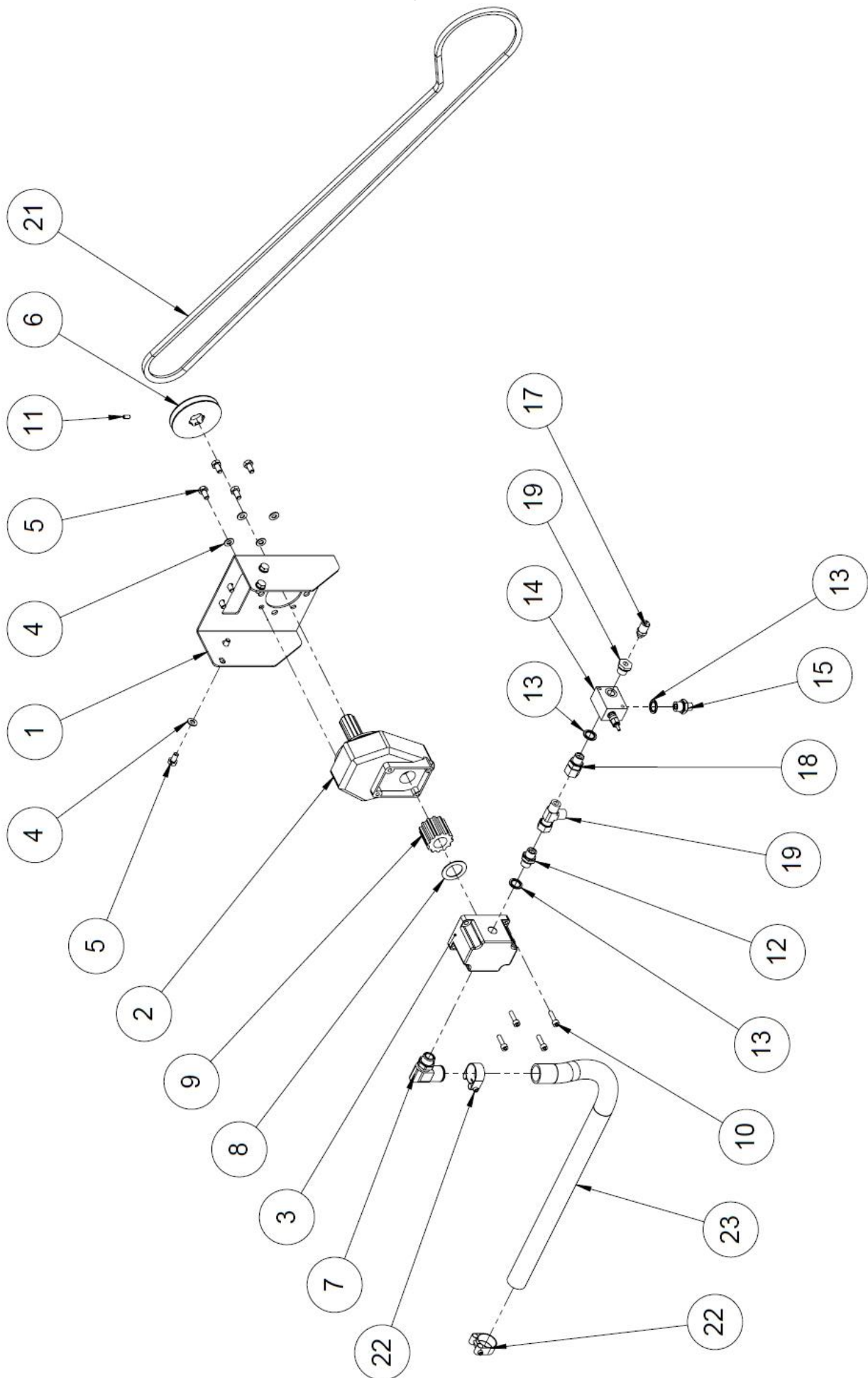
# 27 Frame 2 assembly



## 28 Frame 2 parts list

No.	Part number	Name	Dimensions	Pcs
1	50019607	Frame assembly		1
2	96023	Hex socket screw	DIN 912 M8x16	2
3	96222	Locking nut	DIN 985 M8	14
4	95328	Winch		1
5	95068	Winch strap		2
6	96049	Washer	DIN 125 A10	12
7	96140	Hex screw	DIN 933 M10x30	6
8	96068	Locking nut	DIN 985 M10	8
9	37454	Lifting arm lug		4
10	36033	Drive pin		2
11	96295	Hex screw	DIN 933 M14x120	6
12	96211	Locking nut	DIN 985 M14	6
13	96051	Washer	DIN 125 A14	14
14	96241	Ring pin		2
15	50005582	Toolbox		1
16	10825	Winch fastening pipe		1
17	96189	Lock screw	DIN 603 M12x40	1
18	96200	Hex nut	DIN 934 M12	1
19	96058	Washer	DIN 125 A12	3
20	96218	Locking nut	DIN 985 M12	3
21	96387	Lock screw	DIN 603 M10x30	2
22	47089	Conveyor locking latch		1
23	50012933	Splinter guard		1
24	95034	Handle		1
25	96085	Washer	DIN 9021 M8	2
26	96161	Hex screw	DIN 933 M8x20	2
27	95655	Splitting groove side rubber		2
28	50008967	Plate reinforcement		2
29	95412	Winch		1
30	95423	Draw spring		1
31	96199	Hex nut	DIN 934 M10	1
32	96111	Hex screw	DIN 931 M12x90	2
33	96340	Washer	DIN 9021 M12	4
34	96187	Lock screw	DIN 603 M8x20	12
35	95496	Splitting groove rubber plate		1
36	37595	Rubber fastening plate		2
37	37596	Lower rubber fastening plate		1
38	50017546	Input lever		1
39	95595	Handle		1
40	50017572	Input bar		1
41	96061	Washer	DIN 125 A8	1
42	96245	Cotter pin	DIN 94 3.2x30	1
43	96064	Washer	DIN 9021 M10	1
44	95594	PVC button		2
45	96386	Hex socket screw	DIN 7991 M6x20	2

## 29 Power transmission assembly (tractor-powered)





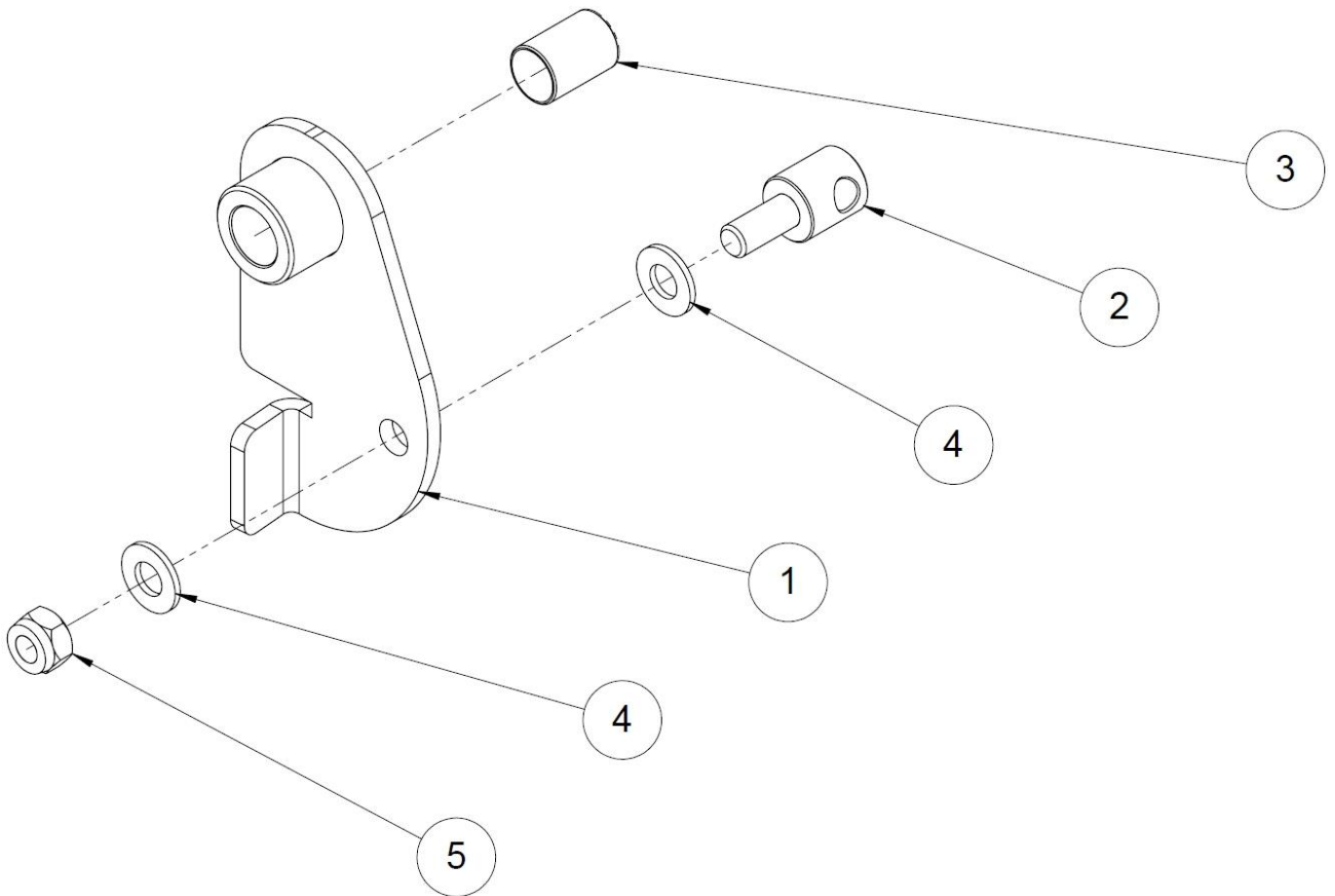
## 30 Power transmission parts list

No.	Part number	Name	Dimensions	Pcs
1	50010155	Gear mounting		1
2	95611	Multiplier gear		1
3	97863	Hydraulic pump	16 cc	1
4	96049	Washer	DIN 125 A10	10
5	96138	Hex screw	DIN 933 M10x20	10
6	95120	V-belt pulley	110 mm, splined	1
7	97606	Suction connector	3/4"/32 mm	1
8	50008329	Shim		1
9	95612	Splined bushing for the pump		1
10	96341	Hex socket screw	DIN 912 M8x30	4
11	96224	Clamping screw	DIN 914 M8x16	1
12	97204	Double nipple	1/2"-1/2"	1
13	97213	USIT	1/2"	3
14	97414	Pressure relief valve	1/2"	1
15	97203	Double nipple	3/8"-1/2"	1
16	97378	Pressure measuring nipple	1/4"	1
17	97216	Connecting nipple	1/2" ext. - 1/2" int.	1
18	97228	T-junction	1/2"	1
19	97580	Reducer fitting	1/2" ext. - 1/4" int.	1
21	95087	V-belt	A102	1
22	97850	Hose clamp		2
23	97604	Suction pipe	L=890 mm	1

**ext. = external thread**

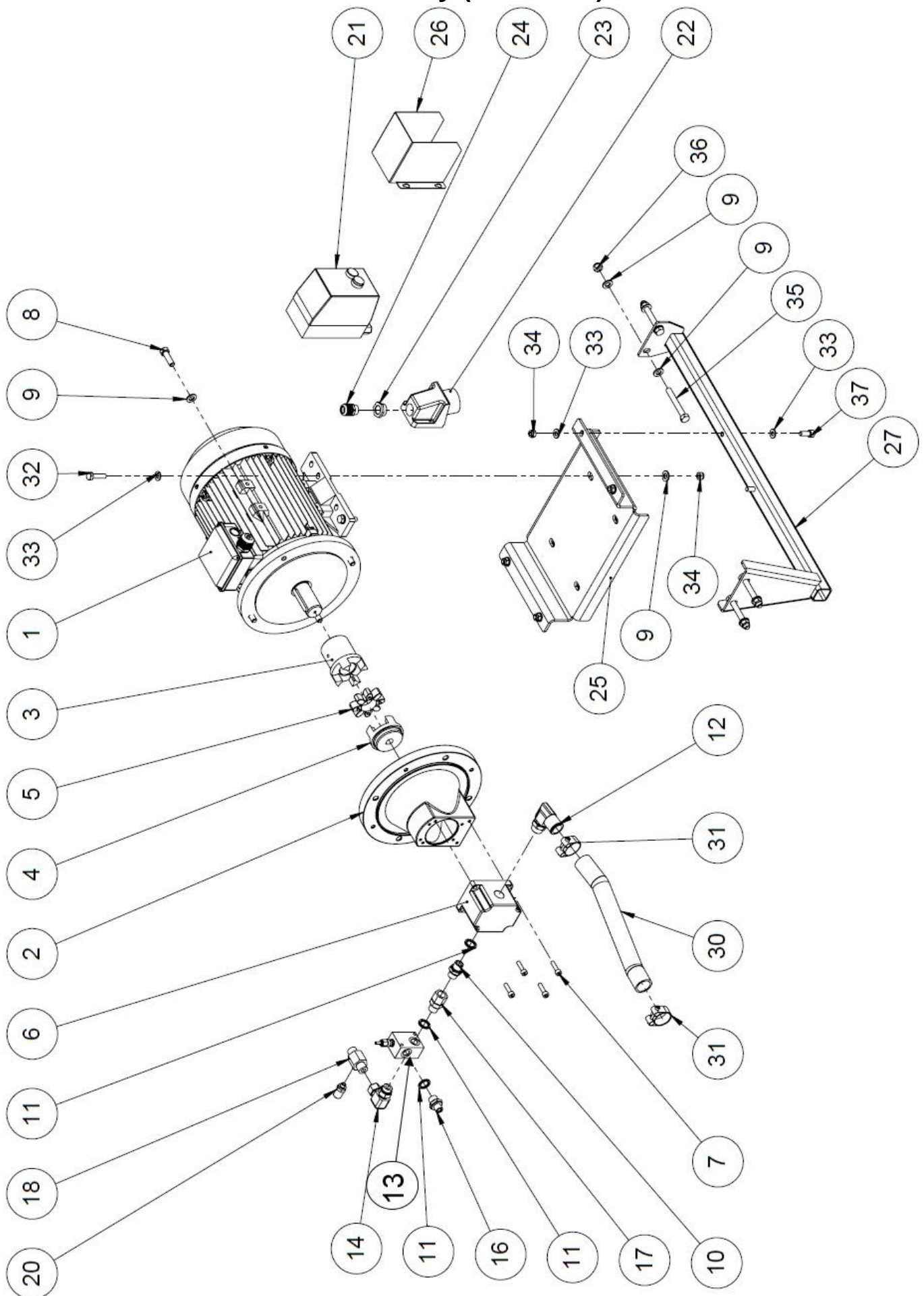
**int. = internal thread**

## 31 Valve press assembly



No.	Part number	Name	Dimensions	Pcs
1	50017573	Valve press		1
2	50006075	Joint nipple		1
3	95062	Slide bearing		1
4	96049	Washer	DIN 125 A 10	2
5	96068	Locking nut	DIN 985 M10	1
<b>1-5</b>	<b>50017574</b>	<b>Press assembly</b>		<b>1</b>

## 32 Power transmission assembly (electrical)



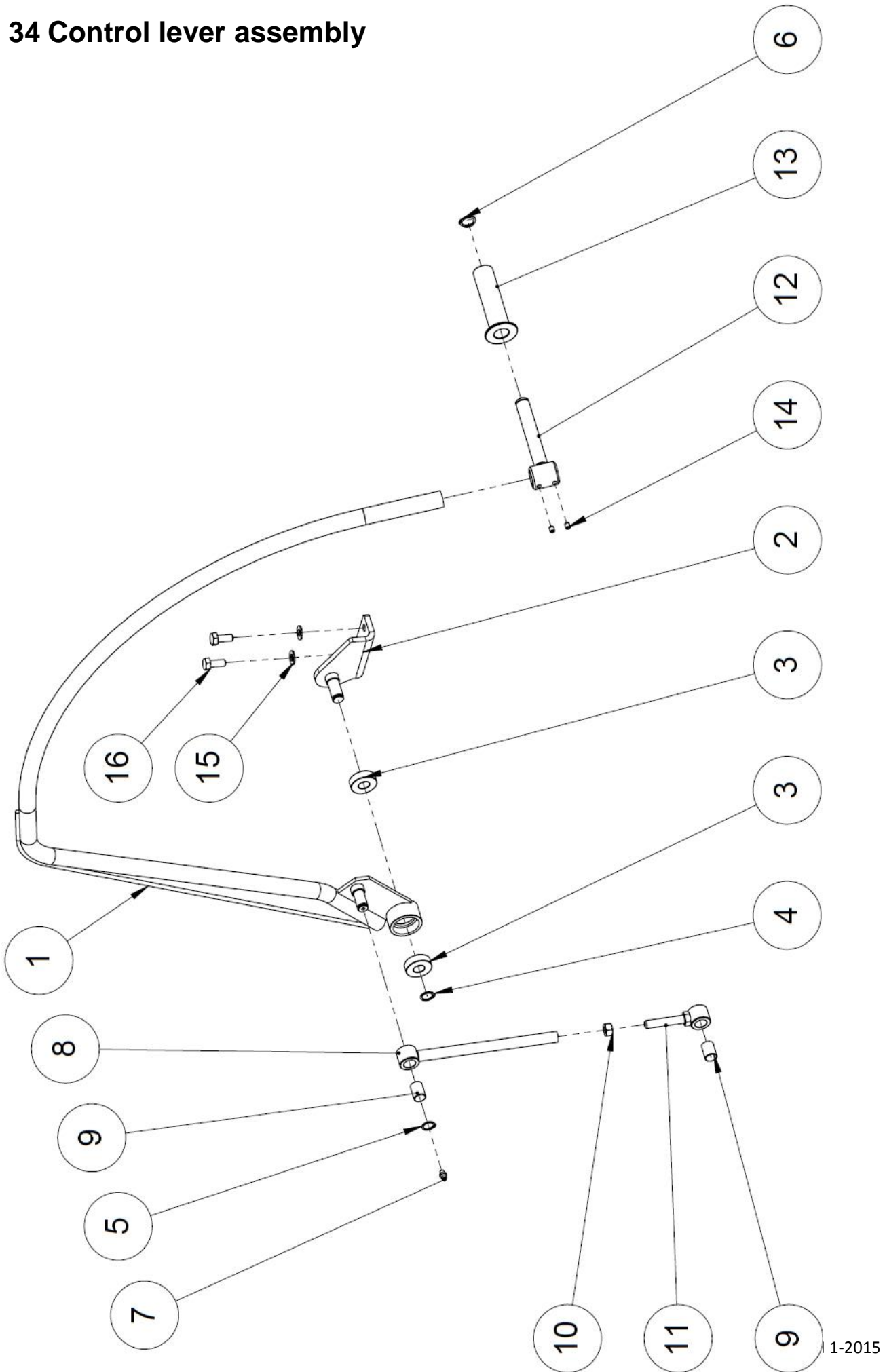
### 33 Power transmission parts list (electrical)

No.	Part number	Name	Dimensions	Pcs
1	95037	Electric motor	5.5 kW B35	1
2	97350	Motor flange		1
3	97351	Gap clutch, electric motor side		1
4	97351	Gap clutch, pump side		1
5	95113	Clutch rubber		1
6	97863	Hydraulic pump	16 cc	1
7	96341	Hex socket screw	DIN 912 M8x30	4
8	96148	Hex screw	DIN 933 M12x40	4
9	96058	Washer	A12	4
10	97204	Double nipple, straight	1/2"-1/2"	1
11	97213	USIT	1/2"	3
12	97606	Suction connector	3/4"/32 mm	1
13	97414	Pressure relief valve	1/2"	1
14	97247	Directional elbow nipple		1
16	97203	Double nipple	3/8"-1/2"	1
17	97216	Connecting nipple	1/2" ext. - 1/2" int.	1
18	97390	Connecting nipple, pressure measuring connection	1/2"	1
20	97378	Pressure measuring nipple	1/4"	1
21	95150	Motor starter	5.5 kW	1
22	95679	Socket	16 A	1
23	95436	Adjustment bushing		1
24	95211	Gland bushing		1
25	50020438	Electric motor bed		1
26	50017732	Starter guard		1
27	50017462	Electric motor bed bracket		1
30	97605	Suction hose		1
31	97850	Hose clamp		2
32	96098	Hex screw	DIN 931 M10x40	4
33	96049	Washer	A10	12
34	96068	Locking nut	DIN 985 M10	8
35	96111	Hex screw	DIN 931 M12x90	4
36	96218	Locking nut	DIN 985 M12	4
37	96329	Hex socket screw	DIN 912 M10x25	4

**ext. = external thread**

**int. = internal thread**

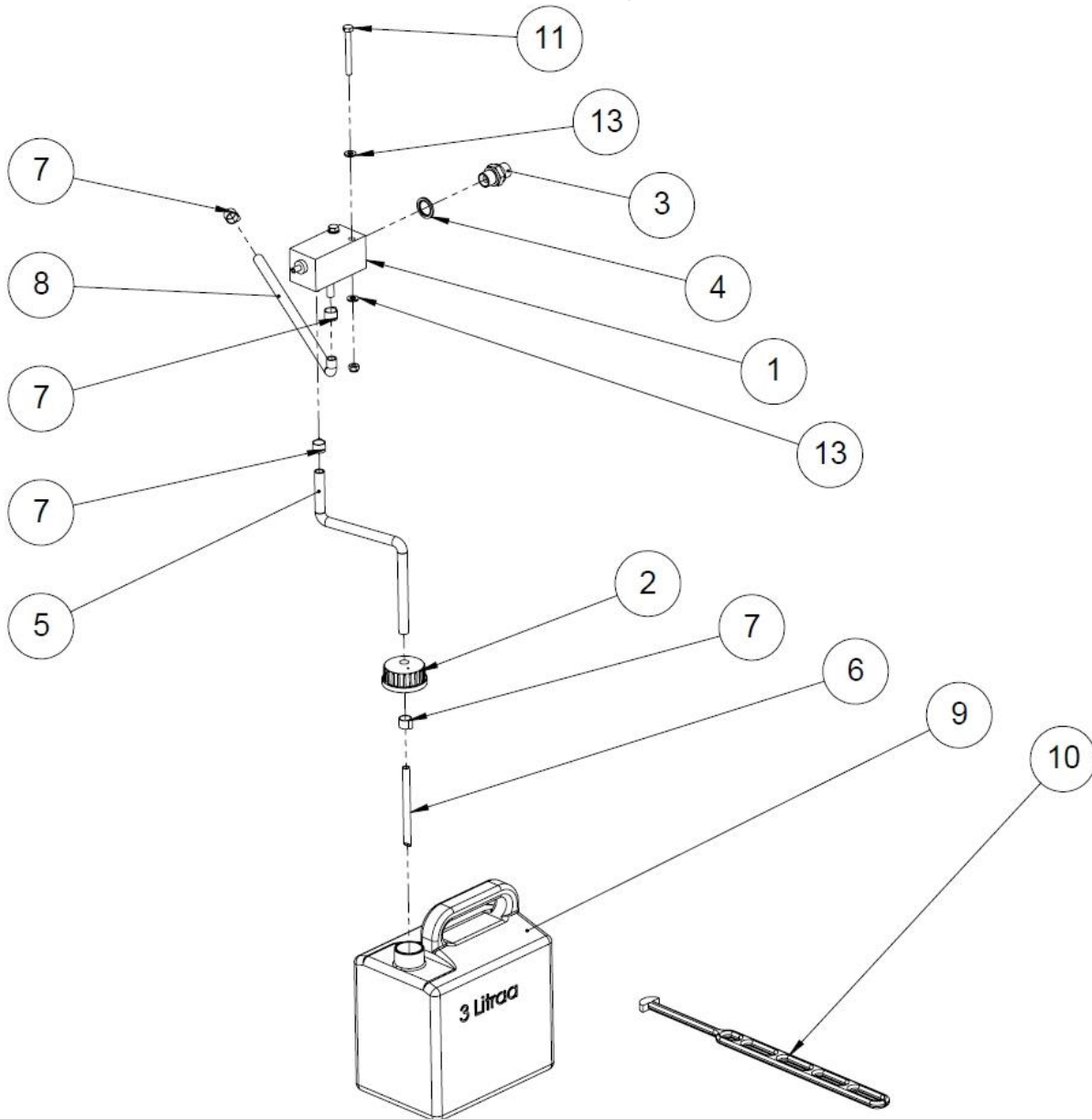
### 34 Control lever assembly



## 35 Control lever parts list

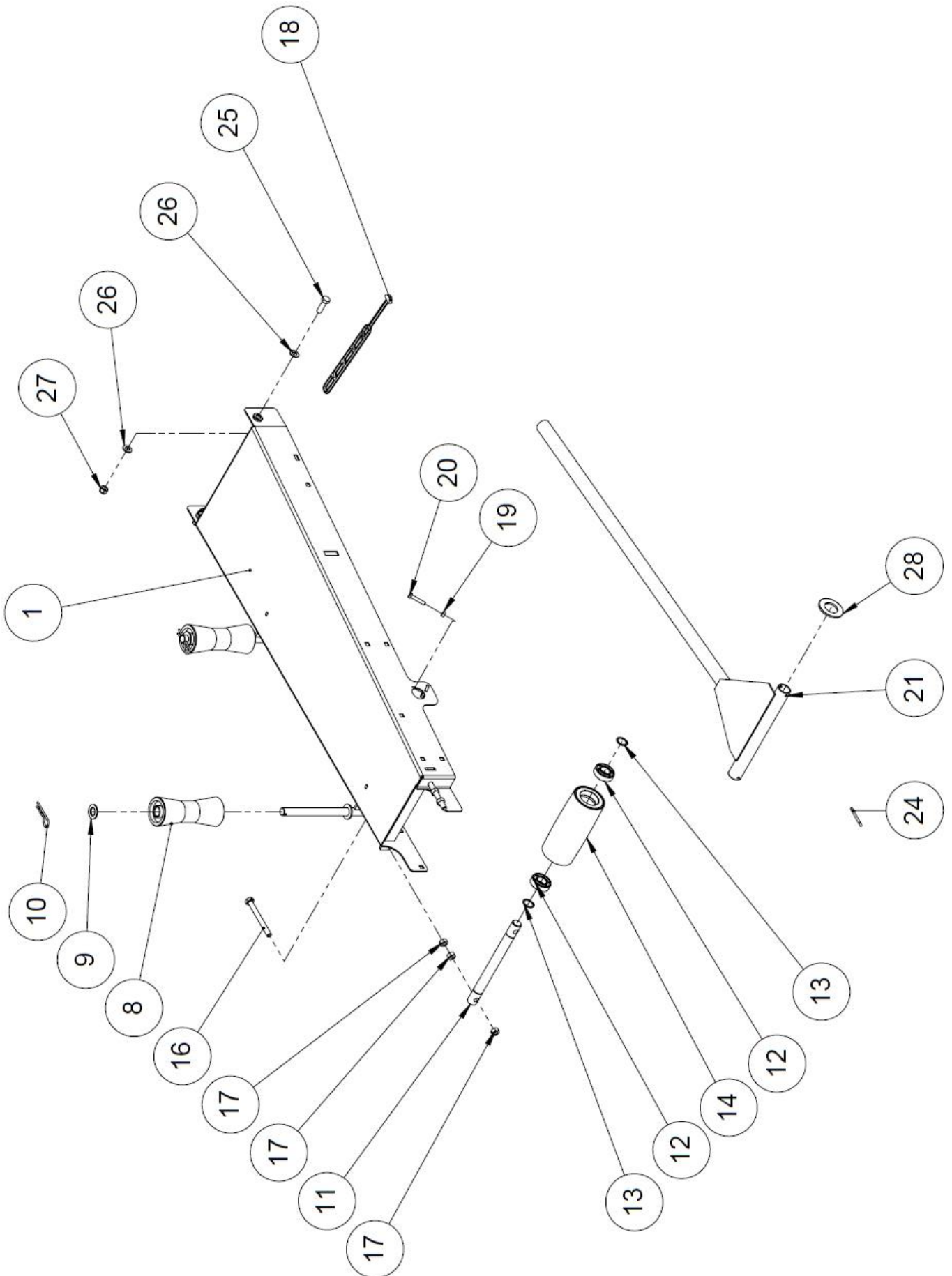
No.	Part number	Name	Dimensions	Pcs
1	50017136	Control lever		1
2	50017138	Operating lever fastener		1
3	95048	Bearing	6203 2Z	2
4	96039	Retaining ring	DIN 471 17	1
5	96038	Retaining ring	DIN 471 16	1
6	96040	Retaining ring	DIN 471 20	1
7	96273	Lubrication nipple	M6X1	1
8	50017140	Operating rod half		1
9	95062	Slide bearing		2
10	96200	Hex nut	DIN 934 M12	1
11	10394	Rod adjuster		1
12	10510	Handle		1
13	95238	Handle	22x125	1
14	96228	Clamping screw		2
15	96049	Washer	DIN 125 A10	3
16	96139	Hex screw	DIN 933 M10x25	4
<b>1-14</b>	<b>50017144</b>	<b>Control lever assembly</b>		<b>1</b>

## 36 Saw chain lubrication assembly



No.	Part number	Name	Dimensions	Pcs
1	97848	Saw chain lubrication pump		1
2	95644	Oil cap		1
3	97276	Choke nipple	1 mm 3/8" - 3/8"	1
4	97212	USIT	3/8"	1
5	95606	PUR hose	8/11 0.9 m	1
6	50014496	Saw chain oil suction pipe		1
7	96174	Hose tie 10		4
8	95606	PUR hose	8/11 0.7 m	1
9	95647	Oil container	3 litres	1
10	95645	Rubber cover fastener		1
11	96120	Hex screw	DIN 931 M6x55	2
12	96221	Locking nut	DIN 985 M6	2
13	96060	Washer	DIN 125 A6	4

### 37 Input table extension assembly

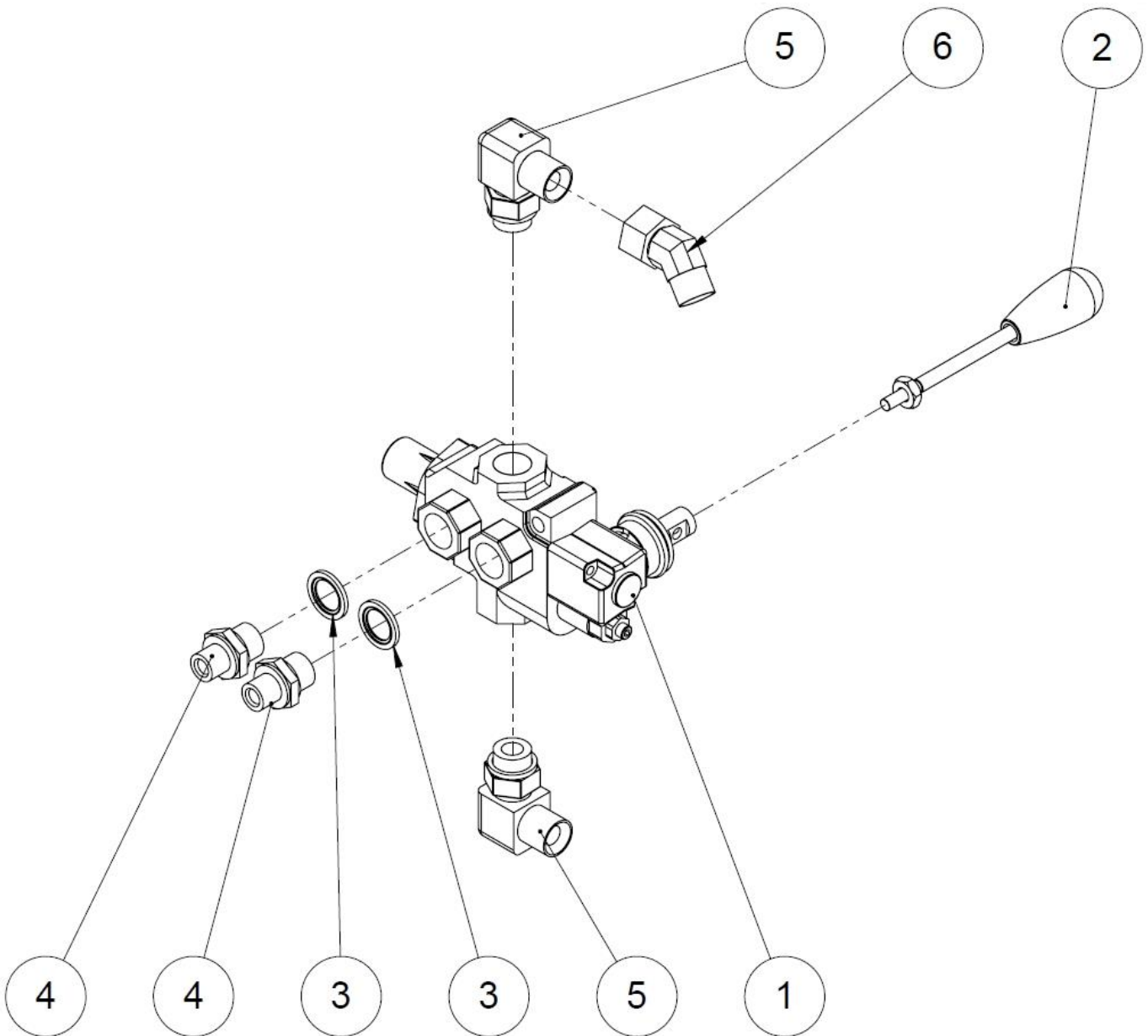




## 38 Input table extension parts list

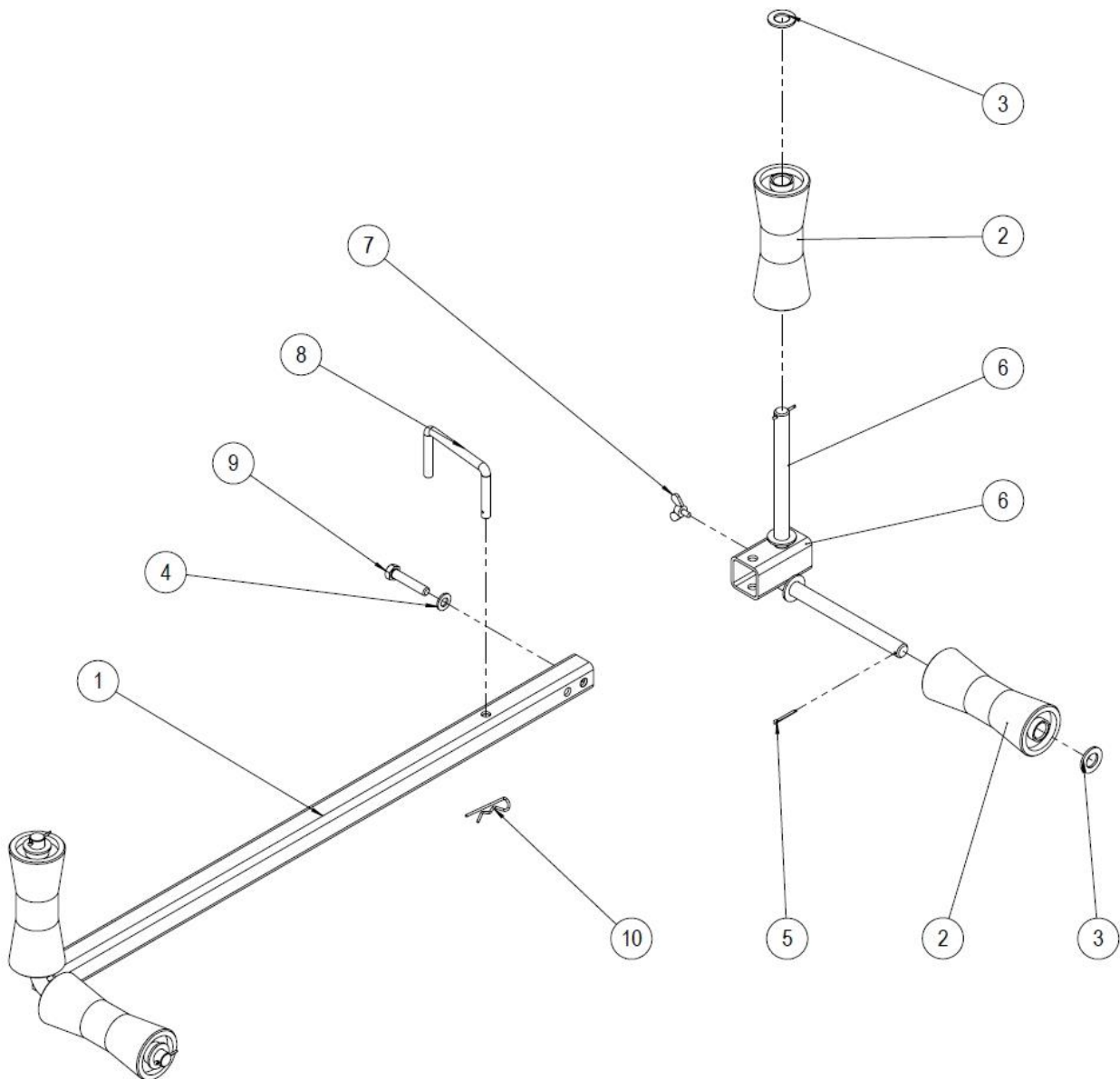
No.	Part number	Name	Dimensions	Pcs
1	50012750	Extension frame		1
8	95001	Keel roller		2
9	96053	Washer	DIN 125 A20	2
10	96347	Hitch pin	4 mm	2
11	37529	Shaft		1
13	96042	Retaining ring	DIN 471 25	2
14	37509	Tensioning roller		1
16	96142	Hex screw	DIN 933 M12x120	2
17	96200	Hex nut	DIN 934 M12	6
18	95645	Rubber cover fastener		1
19	96196	Hex nut	DIN 934 M8	1
20	96123	Hex screw	DIN 931 M8x40	1
21	50012751	Input table extension support		1
24	96250	Cotter pin	DIN 94 5x50	2
25	96148	Hex screw	DIN 933 M12x40	2
26	96058	Washer	DIN 125 A12	4
27	96218	Locking nut	DIN 985 M12	2
28	96410	Washer	DIN 125 A36	2

### 39 Input conveyor valve assembly



No.	Part number	Name	Dimensions	Pcs
1	97842	Hand valve		1
2	97423	Lever	AL01 M8 120	1
3	97213	USIT	1/2"	2
4	97203	Double nipple	3/8"-1/2"	2
5	97247	Directional elbow nipple	1/2"	2
6	97249	Elbow nipple	1/2" ext./int. - 45	1
1-6	<b>30310</b>	<b>Input conveyor valve, complete</b>		<b>1</b>

## 40 Input table rollers + arm



No.	Part number	Name	Dimensions	Pcs
1	10741	Extension roller frame		1
2	95001	Keel roller		4
3	96053	Washer	DIN 125 A20	4
4	96058	Washer	DIN 125 A12	1
5	96246	Cotter pin	DIN 94 3.2x32	4
6	10740	Adjustable roller		1
7	96254	Wing screw	DIN 316 M8	1
8	10259	Locking pin		1
9	96109	Hex screw	DIN 931 M12x60	1
10	96208	Hitch pin		1
1-10	10056	Input table rollers + arm, complete		1