

HakkiPilke 27

SPARE PARTS MANUAL FOR LOG SPLITTER



MAASELÄN KONE OY

Valimotie 1, FI-85800 Haapajärvi, Finland

Tel. +358 (0)8 7727300, Fax +358 (0)8 7727320

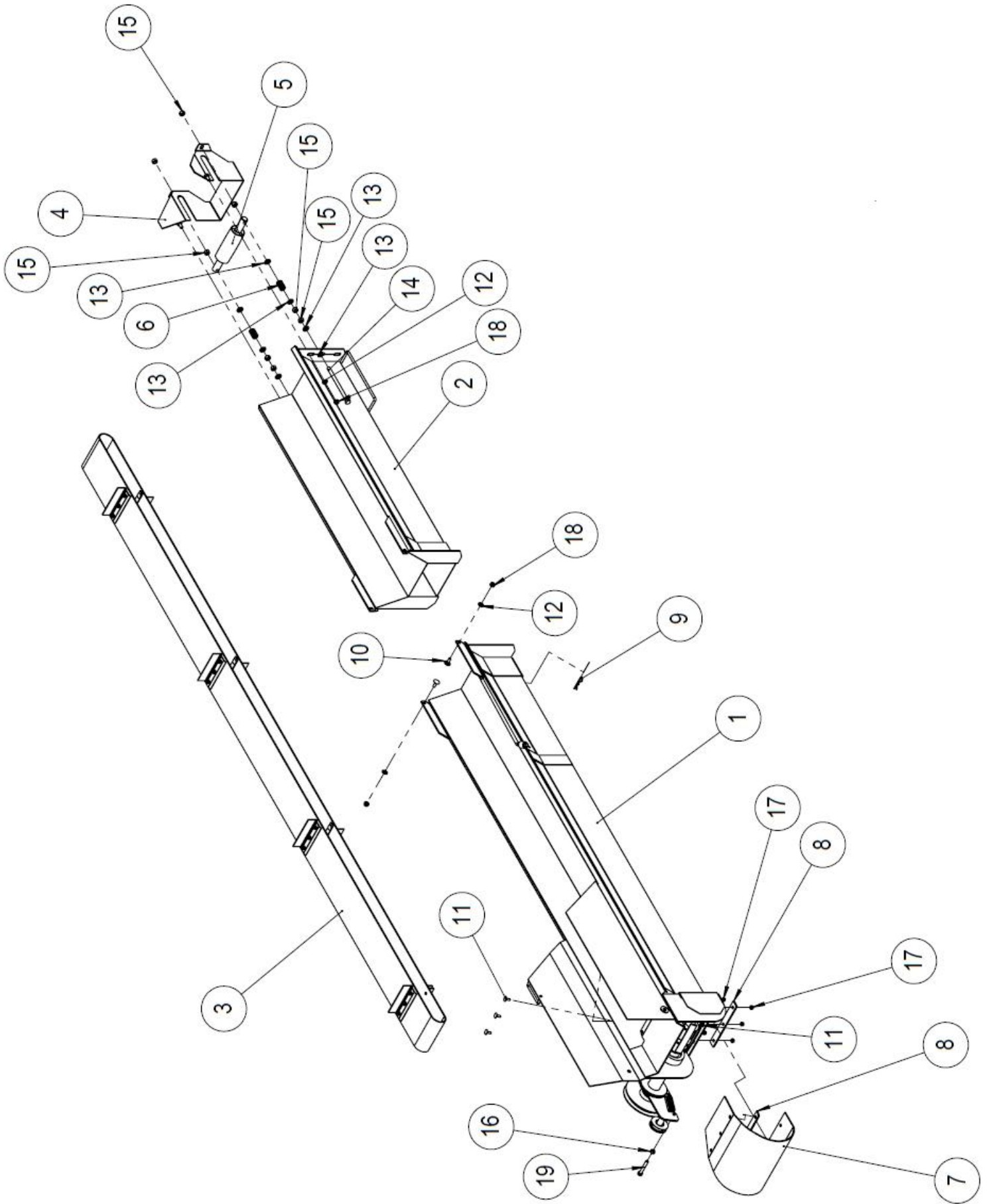
info@maaselankone.fi

www.maaselankone.fi

Table of contents:

1	Exploded view of the output conveyor.....	3
2	Output conveyor parts list	4
3	Exploded view and parts list of the conveyor's lower section.....	5
4	Exploded view and parts list of the machine	6
5	Exploded view of the power transmission.....	7
6	Power transmission parts list.....	8
7	Exploded view and parts list of the valve mechanism	9
8	Valve mechanism parts list	10
9	Exploded view and parts list of the splitting mechanism	11
10	Exploded view and parts list of the splitting cylinder	12
11	Exploded view and parts list of the wood press	13
12	Exploded view and parts list of the acceleration valve.....	14

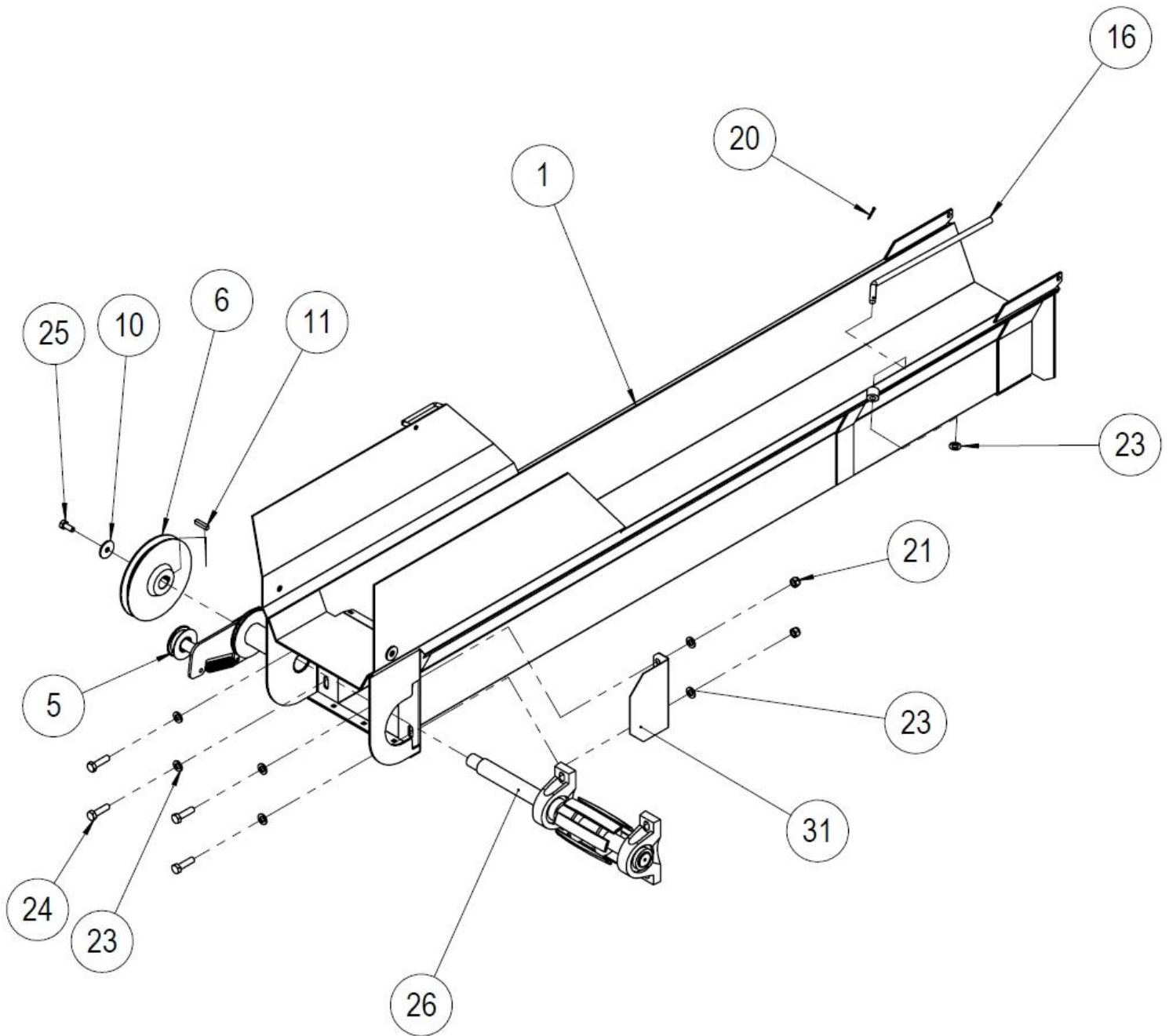
1 Exploded view of the output conveyor



2 Output conveyor parts list

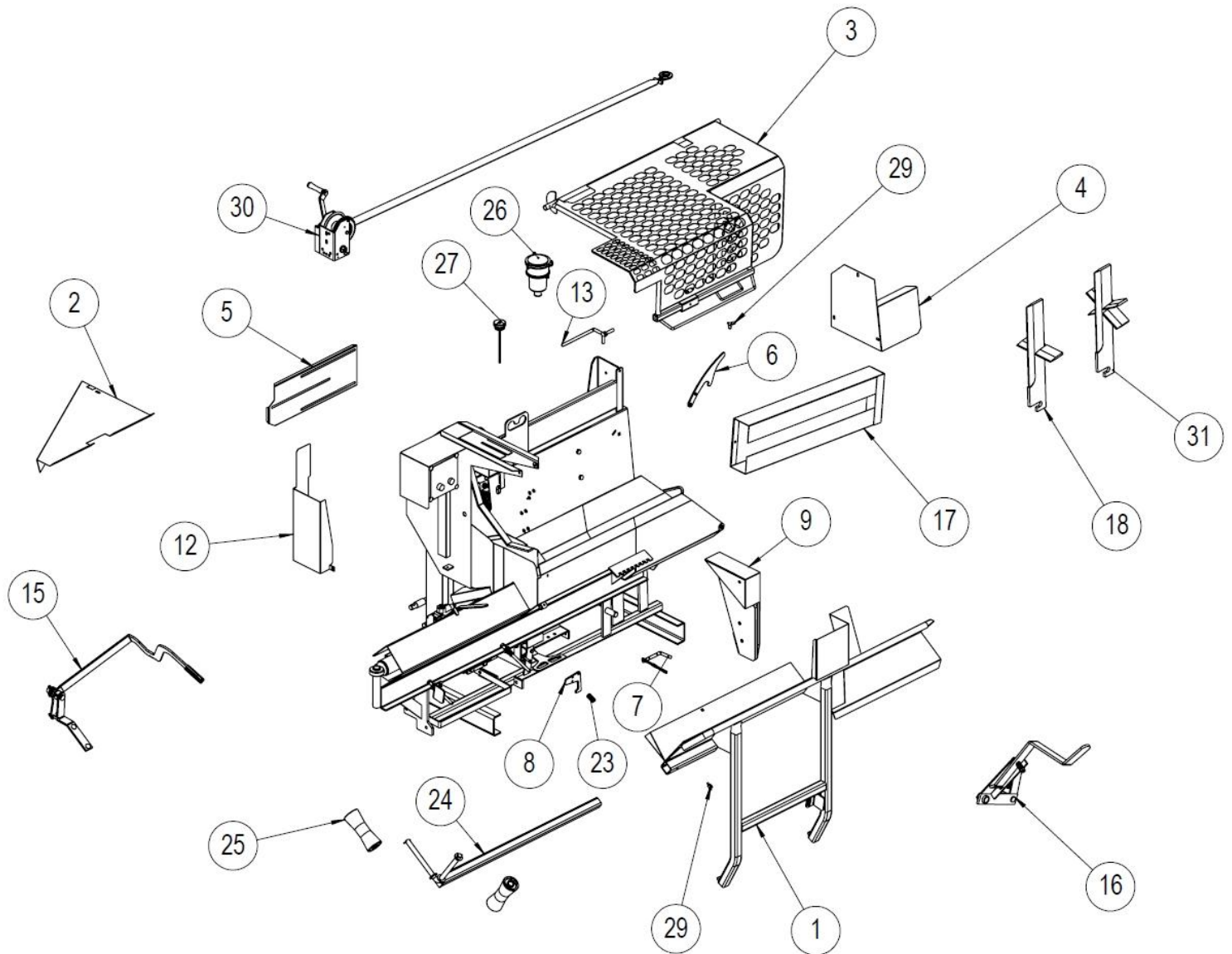
No.	Part number_Name	Pcs
1	09022_Conveyor, lower section	1
2	09021_Conveyor oh-60, upper section	1
3	09050_Conveyor belt	1
4	09067_Guard for the upper roller	1
5	09005_Upper roller	1
6	95014_Pressure spring 3.5x22x38	1
7	95473_Lower protective belt	1
8	61173 Fastening rod for the rubber baffle	2
9	96208_Needle pin	1
10	96186_Locking screw DIN 603 M10x25	2
11	96187_Locking screw DIN 603 M8x20	6
12	96049_Washer DIN 125 A10	4
13	96058_Washer DIN 125 A12	8
14	96346_Hexagonal screw DIN 933 M12x180	2
15	96200_Hexagonal nut DIN 934 M12	8
16	96199_Hexagonal nut DIN 934 M10	1
17	96222_Locking nut DIN 985 M8	6
18	96068_Locking nut DIN 985 M10	4
19	96101_Hexagonal screw DIN 931 M10x65	1

3 Exploded view and parts list of the conveyor's lower section



No.	Part number_Name	Pcs
1	09070_Conveyor's lower section, frame	1
5	09010_Conveyor belt tensioner	1
6	10099_Belt pulley, A180	1
10	10492_Washer	1
11	10099b_Wedge for the conveyor belt pulley	1
16	09062_Conveyor belt holder	1
20	96246_Cotter pin DIN 94 3.2x32	1
21	96218_Locking nut DIN 985 M12	4
23	96058_Washer DIN 125 A12	9
24	96149_Hexagonal screw DIN 933 M12x45	4
25	96139_Hexagonal screw DIN 933 M12x25	1
26	09012_Lower conveyor roller, complete	1
31	10128c_Shaft end guard	1

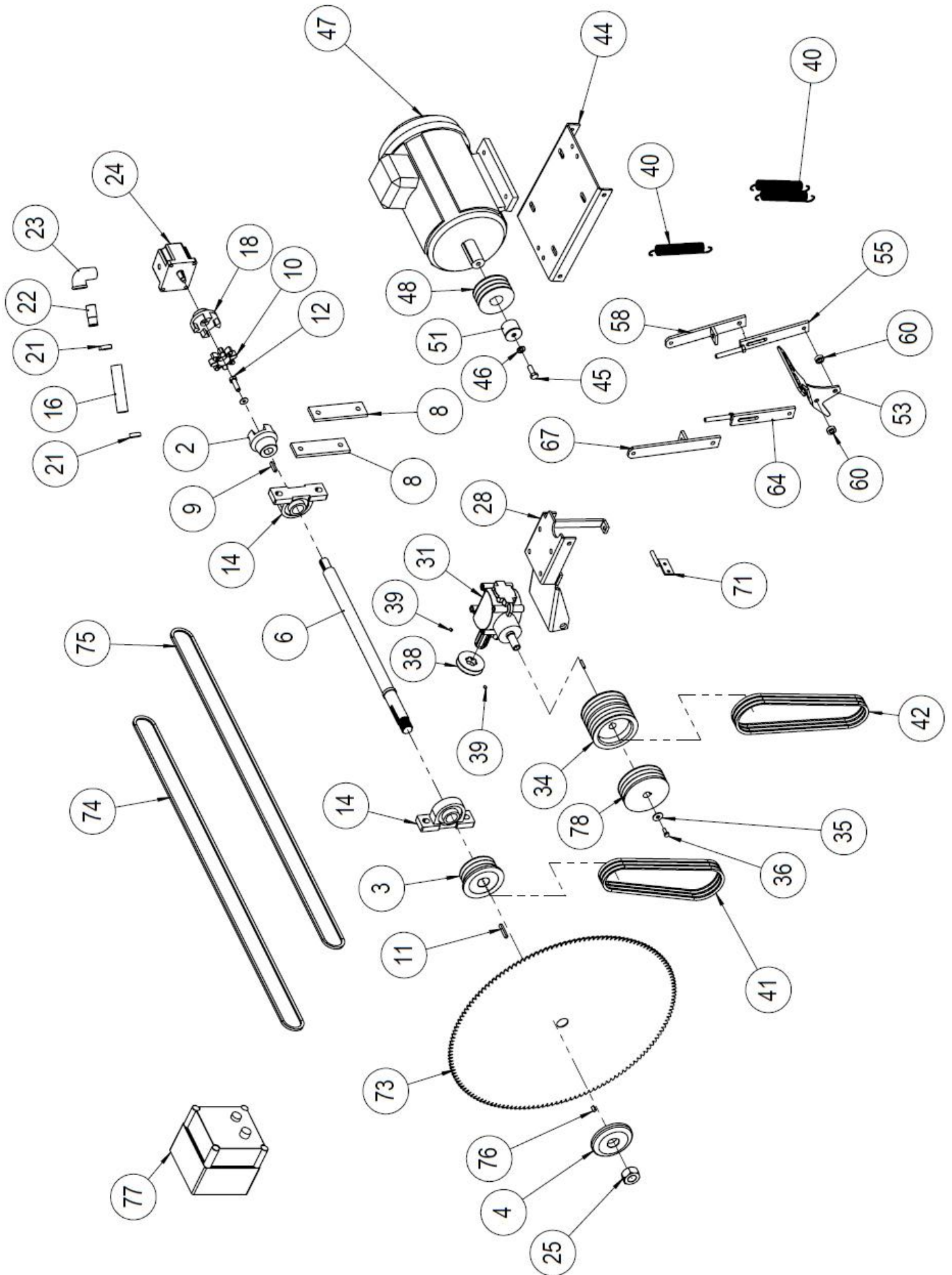
4 Exploded view and parts list of the machine



No.	Part number_Name	Pcs
1	08240_Cutting table	1
2	08038_Valve cover plate	1
3	08235_Guard	1
4	08049_Pump end	1
5	08053_Slide plate	1
6	09229_Conveyor locking latch	1
7	08281_Table stopper	1
8	08269_Quick stop lock	1
9	08261_Blade guard	1
12	08255_Electrom. belt guard	1
13	08277_Log measuring device	1

15	08307_Wood pressure	1
16	08268_Blade adjustment assembly	1
17	09006_Conveyor belt guard	1
18	08075_Splitting blade 4 part	1
23	95015_Pressure spring	3
24	08114_Table extension rollers	1
25	95001_Keel roller	2
26	97291_Filter	1
27	97428_Filler cap with a dipstick	1
29	96254_Wing screw DIN 316 M8	2
30	37150_Winch output conveyor	1
31	08076_Splitting blade 6 part	1

5 Exploded view of the power transmission

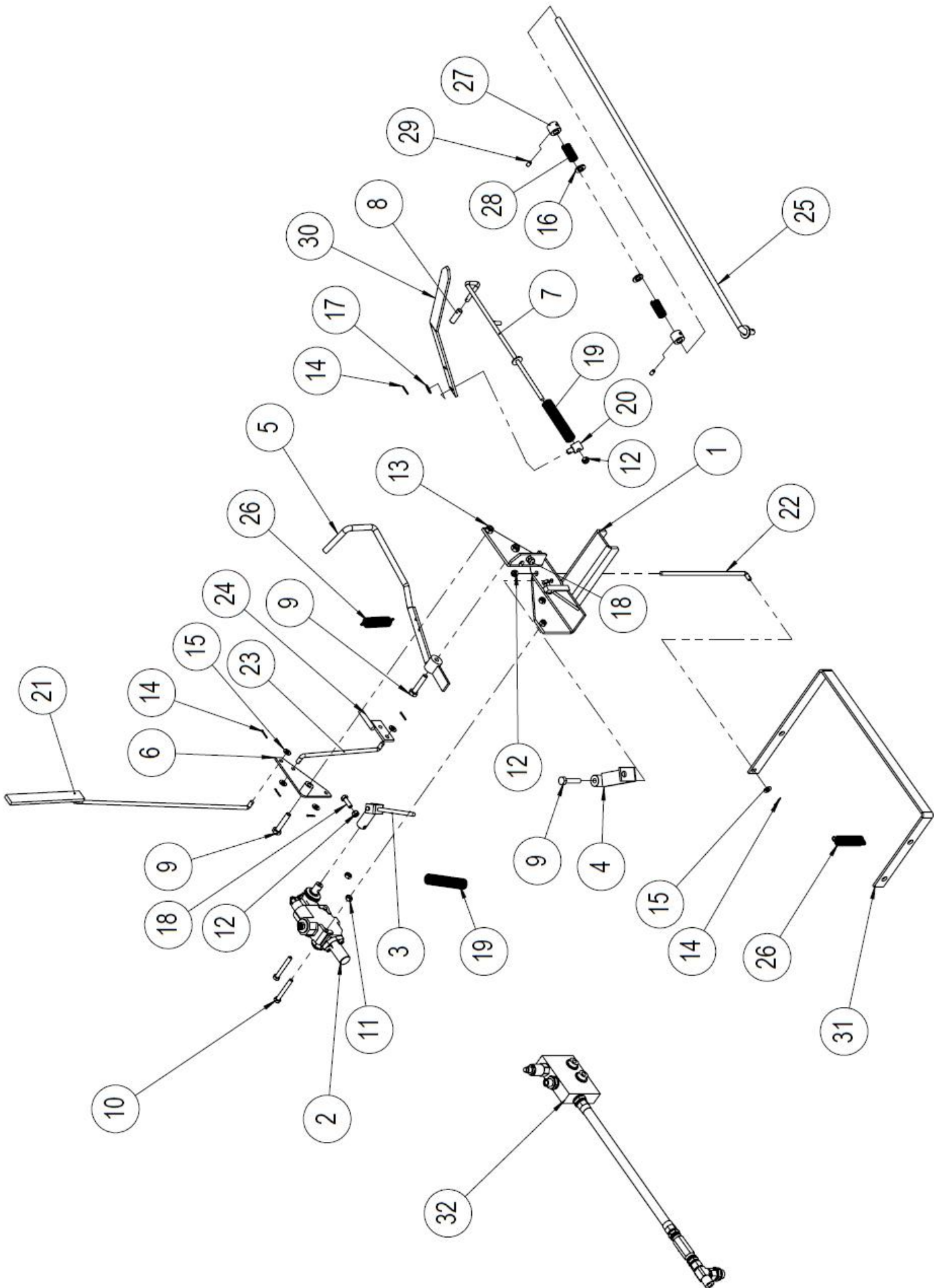


6 Power transmission parts list

No.	Part number_Name	Pcs
2	95111_Switch, machine side	1
3	08011_Belt pulley	1
4	06037_Flange	1
5	08010_Blade shaft	1
8	08001a_Spacer plates	2
9	10526_Wedge	1
10	95113_Switch rubber	1
11	08226_Wedge	1
12	96148_Hexagonal screw DIN 933 M12x40	1
13	96085_Washer DIN 9021 M8	1
14	95058_Bearing UCP207	2
16	97286_Inlet hose	1
18	95112_Switch, pump side	1
21	96181_Hose clamp20-32	2
22	10202_Inlet hose nipple	1
23	97432_3.4 curve	1
24	97321_Hydraulic pump	1
25	96194_Hexagonal nut DIN 934 M30	1
28	08069_Bed for the angle transmission	1
31	95170_Angle transmission	1
34	08094_Belt pulley 6a138 electrical	1
35	96064_Washer DIN 9021 M10	1
36	96063_Hexagonal screw DIN 933 12.9 M8x20	1
37	06331_Wedge	1

38	95104_Belt pulley wheel	1
39	96228_Stopper screw DIN 916 M8x8	2
40	95025_Draw spring 3.5x30x190	3
41	95080_V-belt A-36	3
42	95081_V-belt A-38	3
44	08093_Mount for the electric motor	1
45	96147_Hexagonal screw DIN 933 M12x35	1
46	96058_Washer DIN 125 A12	1
47	95038_Electric motor 7.5 kW 1500 B3	1
48	95101_Belt pulley for the electric motor 7.5kw	1
51	10226_Shaft guard for the electric motor	1
53	08269_Quick stop pedal	1
55	08287_Quick stop idler	1
58	08196_Quick stop idler extension	1
60	08194_Brake bushings	2
64	08205_Quick stop idler	1
67	08196_Quick stop idler extension (electrical)	1
69	08211_Quick stop	1
71	08208_Quick stop rocker	1
73	95141_Hard metal blade	1
74	95087_V-belt A-102	1
75	95088_V-belt A-104	1
76	37077_Wedge 7x8x15	1
77	95152_Starter box 7.5	1
78	95118_Angle transmission belt pulley 3A	1

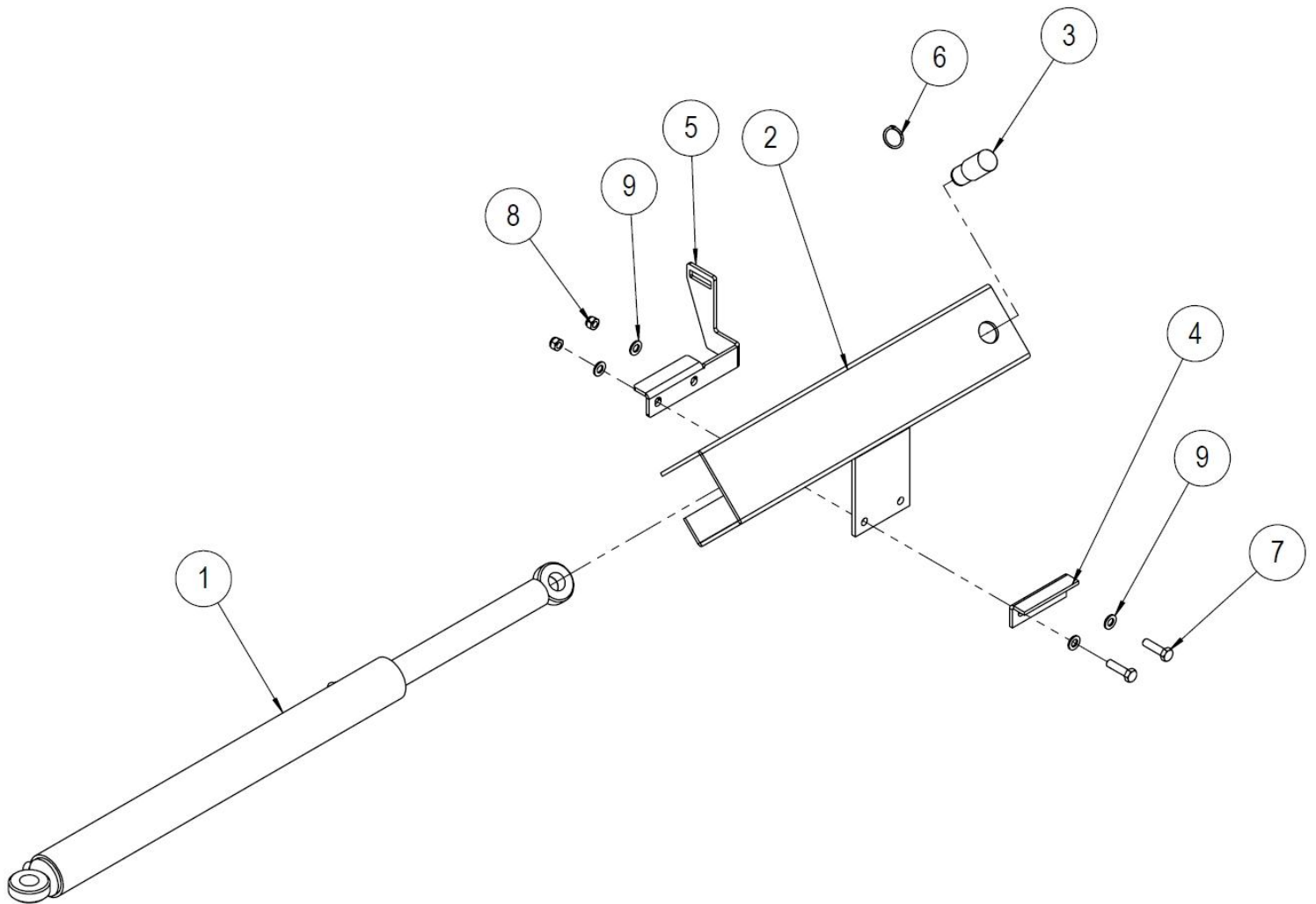
7 Exploded view and parts list of the valve mechanism



8 Valve mechanism parts list

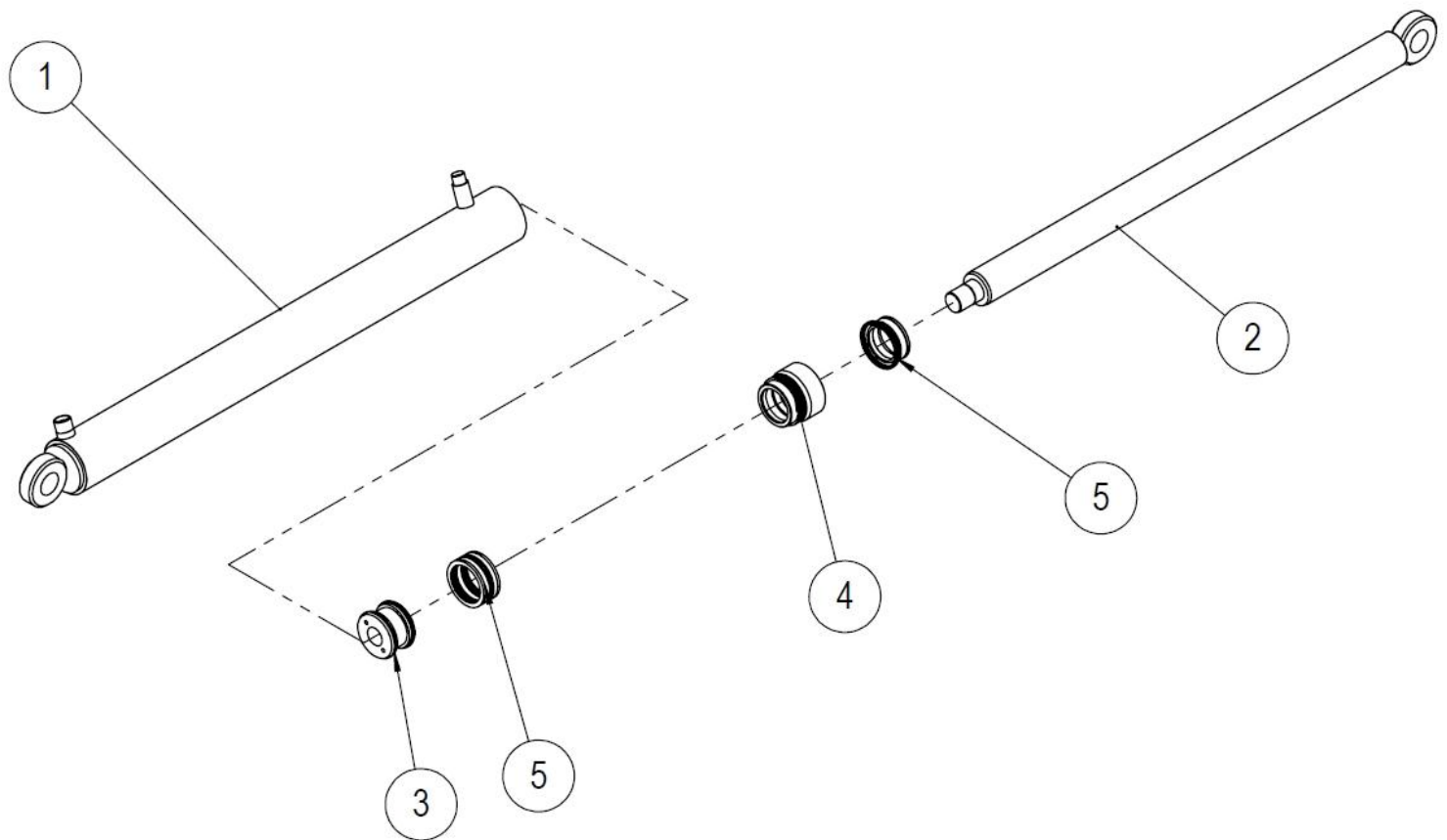
No.	Part number_Name	Pcs
1	08098_Valve body	1
2	97401_Valve SD 4 1 no spring	1
3	10167_Jointed lever	1
4	08121_Valve flat rod	1
5	08092_Triggering lever	1
6	08089_Stopping lever joint	1
7	08084_Valve return rods	1
8	08084g_Valve return rod pipe	1
9	96099_Hexagonal screw DIN 931 M10x50	3
10	96126_Hexagonal screw DIN 931 M8x60	2
11	96196_Hexagonal nut DIN 934 M8	4
12	96222_Locking nut DIN 985 M8	5
13	96068_Locking nut DIN 985 M10	3
14	96243_Cotter pin DIN 94 2.5x16	6
15	96061_Washer DIN 125 A8	5
16	96058_Washer DIN 125 A12	2
17	96049_Washer DIN 125 A10	1
18	96132_Hexagonal screw DIN 933 12.9M8x25	3
19	95018_Pressure spring Ø22x2 L=140	2
20	08084b_Return rod join nipple	1
21	08088_Splitting block, stopping lever	1
22	08083_Pedal disc	1
23	08279_Quick stop push rod	1
24	08208_Quick stop rocker	1
25	08080_Valve drive levers	1
26	95016_Draw spring 2x20x100	2
27	10170_Valve drive rod bushing	2
28	95015_Pressure spring	2
29	96227_Stopper screw DIN 916 M8x12	4
30	08179_Flat rod for the valve return mechanism	1
31	08085_Pedal	1
32	08146_Acceleration valve, complete	1

9 Exploded view and parts list of the splitting mechanism



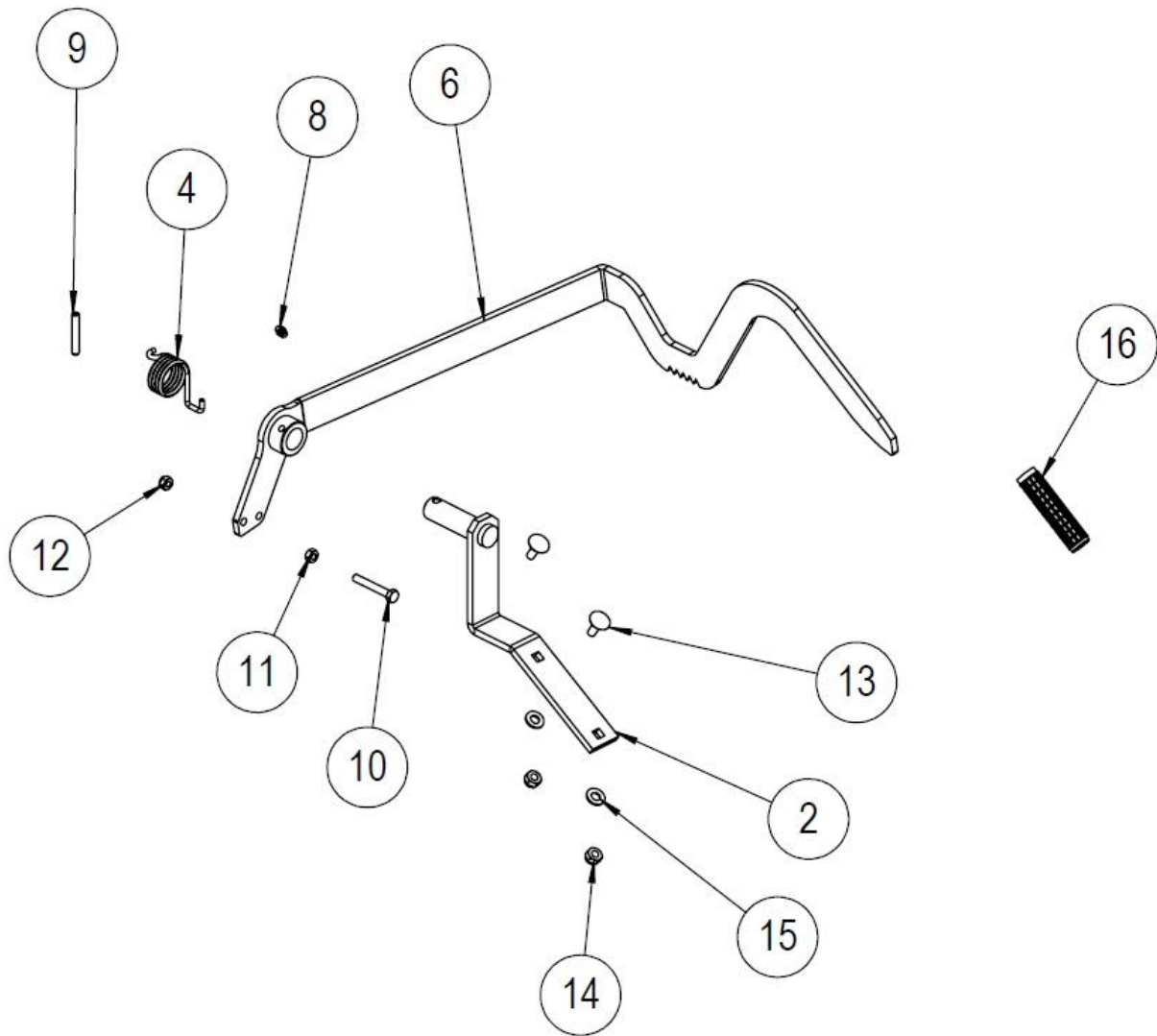
No.	Part number_Name	Pcs
1	08111_Cylinder Ø63, 45/650	1
2	08074_Slide	1
3	08007a_Cylinder pin	1
4	08138_Slide fastener, right	1
5	08139_Slide fastener, left	1
6	96044_Retaining ring DIN 471 30	1
7	96107_Hexagonal screw DIN 931 M12x45	2
8	96218_Locking nut DIN 985 M12	2
9	96058_Washer DIN 125 A12	4

10 Exploded view and parts list of the splitting cylinder



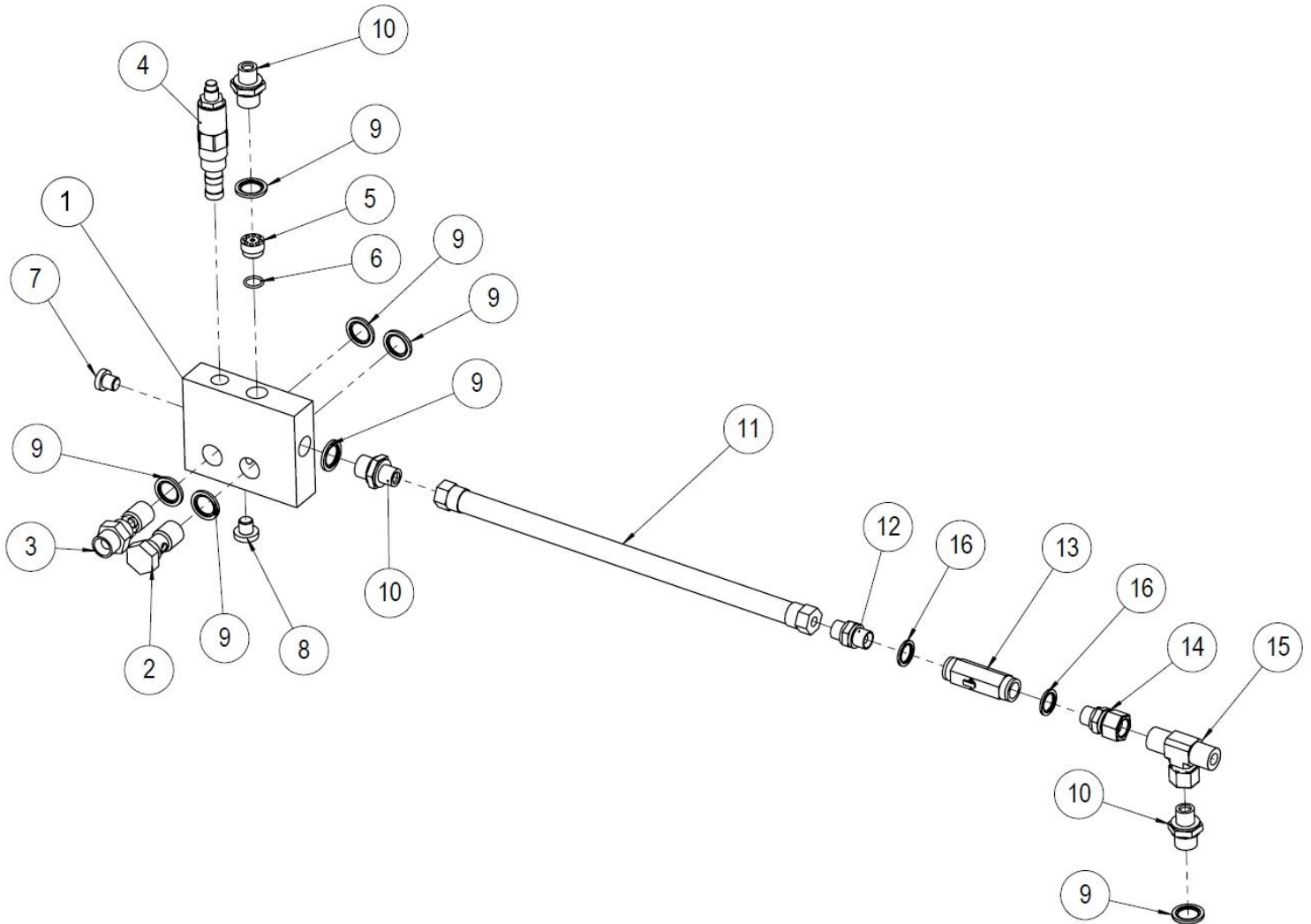
No.	Part number_Name	Pcs
1	08187_Cylinder pipe	1
2	08188_Cylinder arm	1
3	10664_Piston Ø63/32 and Ø63/45	1
4	10665_Arm control Ø73,63/45	1
5	97296_Seal kit D73 63/45	1

11 Exploded view and parts list of the wood press



No.	Part number_Name	Pcs
2	06208_Fastener	1
4	95439_Torsion spring	1
6	08309_Press handle	1
8	96276_Lubrication nipple M8X1	1
9	96078_Spring cotter DIN 1481 96078_8x50	1
10	96125_Hexagonal screw DIN 931 M8x55	1
11	96196_Hexagonal nut DIN 934 M8	1
12	96222_Locking nut DIN 985 M8	1
13	96186_Locking screw DIN 603 M10x25	2
14	96068_Locking nut DIN 985 M10	2
15	96049_Washer DIN 125 A10	2
16	95034_Handle	1

12 Exploded view and parts list of the acceleration valve



No.	Part number_Name	Pcs
1	37355_Acceleration valve body	1
2	37353_Banjo bolt	1
3	08130_Banjo bolt with nipple	1
4	97412_Regulation valve ps10-32	1
5	97437_Rotatable check valve	1
6	?_O Ring 18	1
7	97259_Plug 1/4"	1
8	97260_Plug 3/8" uk	1
9	97213_USIT 1/2"	7
10	97203_Double nipple straight 3/8" x 1/2"	3
11	97022_Hydraulic hose 300 x 3/8" straight - straight	1
12	97202_Double nipple straight 3/8" uk 3/8" uk	1
13	97251_Check valve 3/8"	1
14	97219_Coupling nipple 3/8" sk - 3/8" uk	1
15	97230_T junction (adjustable)	1
16	97212_Usit 3/8"	2